

#8 X 2" [M4 x 50] SELF-TAPPING SHEET METAL SCREW (7 PER FRAME @ 18" [457mm] O.C.) (JK061)

5/8" DRYWALL (BY OTHERS)

5/8" [16mm]

FEATHERED JOINT COMPOUND (BY OTHERS)

CONT. ALUM. FRAME (J1A036-F)

CONT. SANTOPRENE SEAL

2" [51mm]

CONT. ALUM. RECESSED FRAME (J6A005)

2" [52mm] SIGHTLINE

114-A09-050

SPECIFY SEAL COLOR:	
Black (J6D201)	
Beige (J6D202)	
Gray (J6D203)	
Off White (J6D204)	
Bright White (J2D205)	

JOINT WIDTH		MOVEMENT ±			
		HORIZONTAL		VERTICAL	
US	mm	US	mm	US	mm
2"	51	1"	25	1"	25

FINISH: ALUM. FINISH-MILL

PROJECT:

CUSTOMER:

LOCATION:

APPLICATION-
WALL/CORNER, WALL/CEILING
SEISMIC WALL AND CEILING SYSTEMS

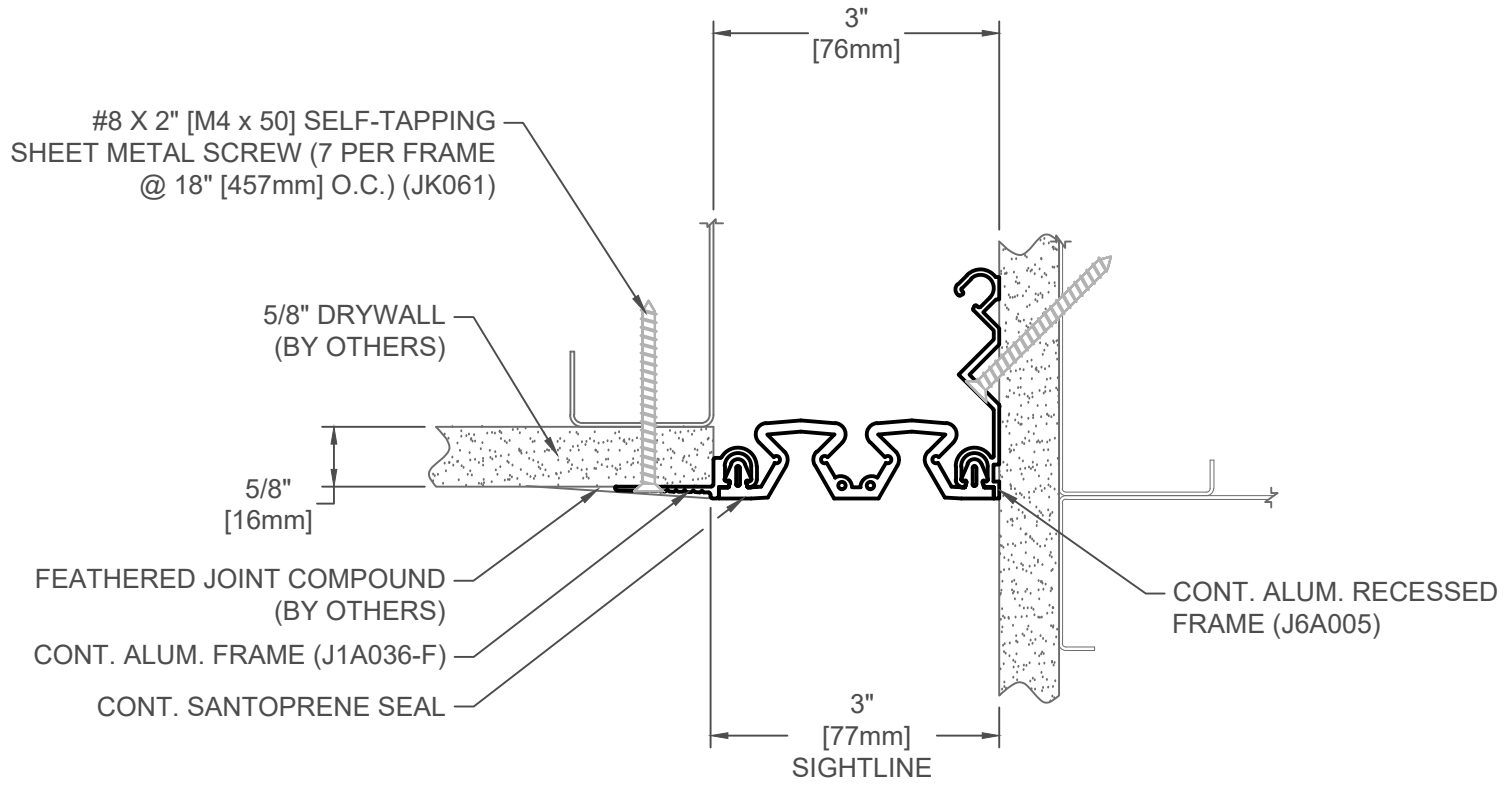
DATE: 03-02-17

SCALE: 1:2

DOC: CADJM.080/R3

inpro.

For More Information Visit: Inprocorp.com



114-A09-075

SPECIFY SEAL COLOR:	
Black (J6D301)	
Beige (J6D302)	
Gray (J6D303)	
Off White (J6D304)	
Bright White (J2D305)	

JOINT WIDTH		MOVEMENT ±			
		HORIZONTAL		VERTICAL	
US	mm	US	mm	US	mm
3"	76	1-1/2"	38	1-1/2"	38

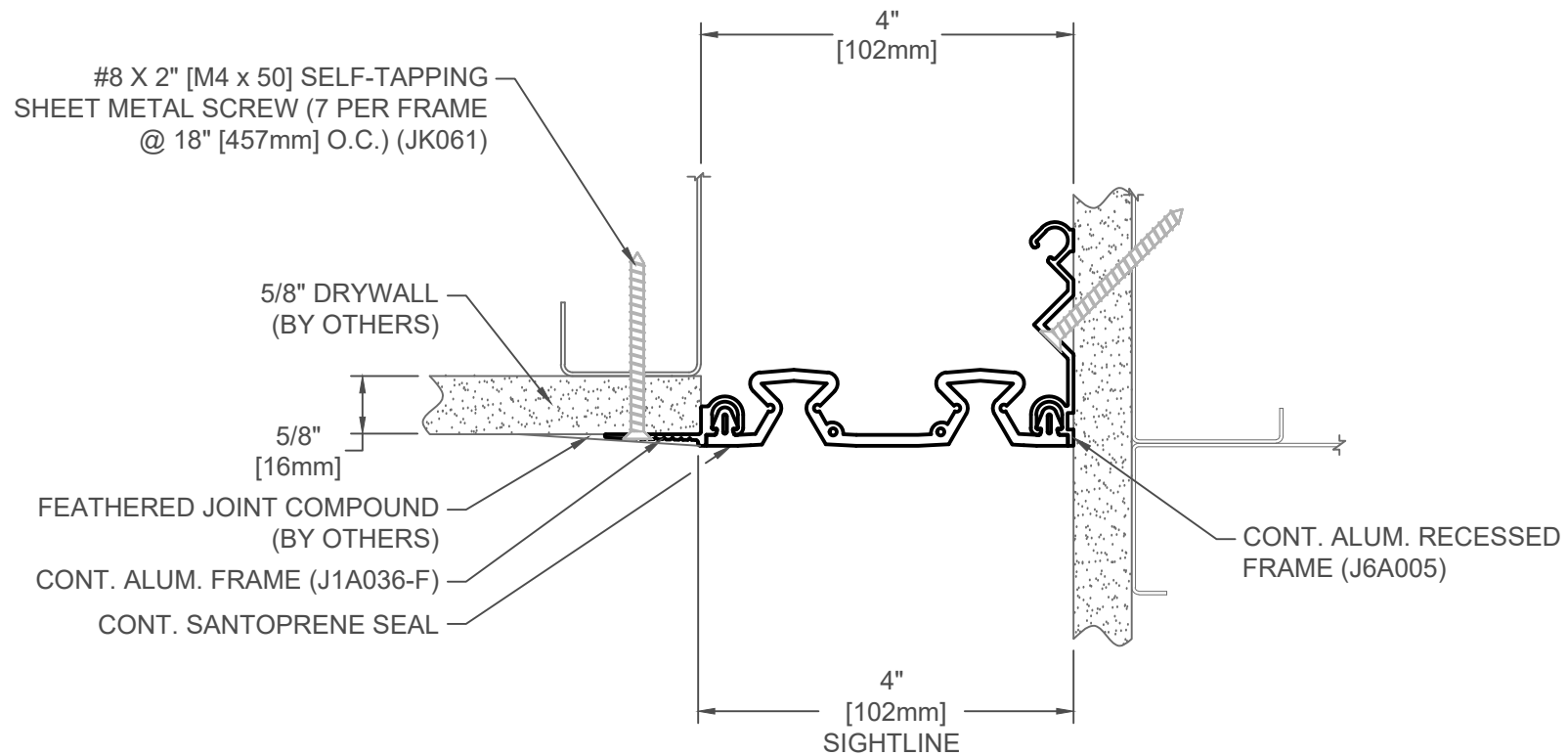
FINISH: ALU. FINISH-MILL
PROJECT:
CUSTOMER:
LOCATION:

APPLICATION-
WALL/CORNER, WALL/CEILING
SEISMIC WALL AND CEILING SYSTEMS

DATE:	03-02-17
SCALE:	1:2
DOC:	CADJM.080/R3



For More Information Visit: Inprocorp.com



114-A09-100

SPECIFY SEAL COLOR:	
Black (J6D401)	
Beige (J6D402)	
Gray (J6D403)	
Off White (J6D404)	
Bright White (J2D405)	

JOINT WIDTH		MOVEMENT ±			
		HORIZONTAL		VERTICAL	
US	mm	US	mm	US	mm
4"	102	2"	51	2"	51

FINISH: ALUM. FINISH-MILL

PROJECT:

CUSTOMER:

LOCATION:

APPLICATION-
WALL/CORNER, WALL/CEILING
SEISMIC WALL AND CEILING SYSTEMS

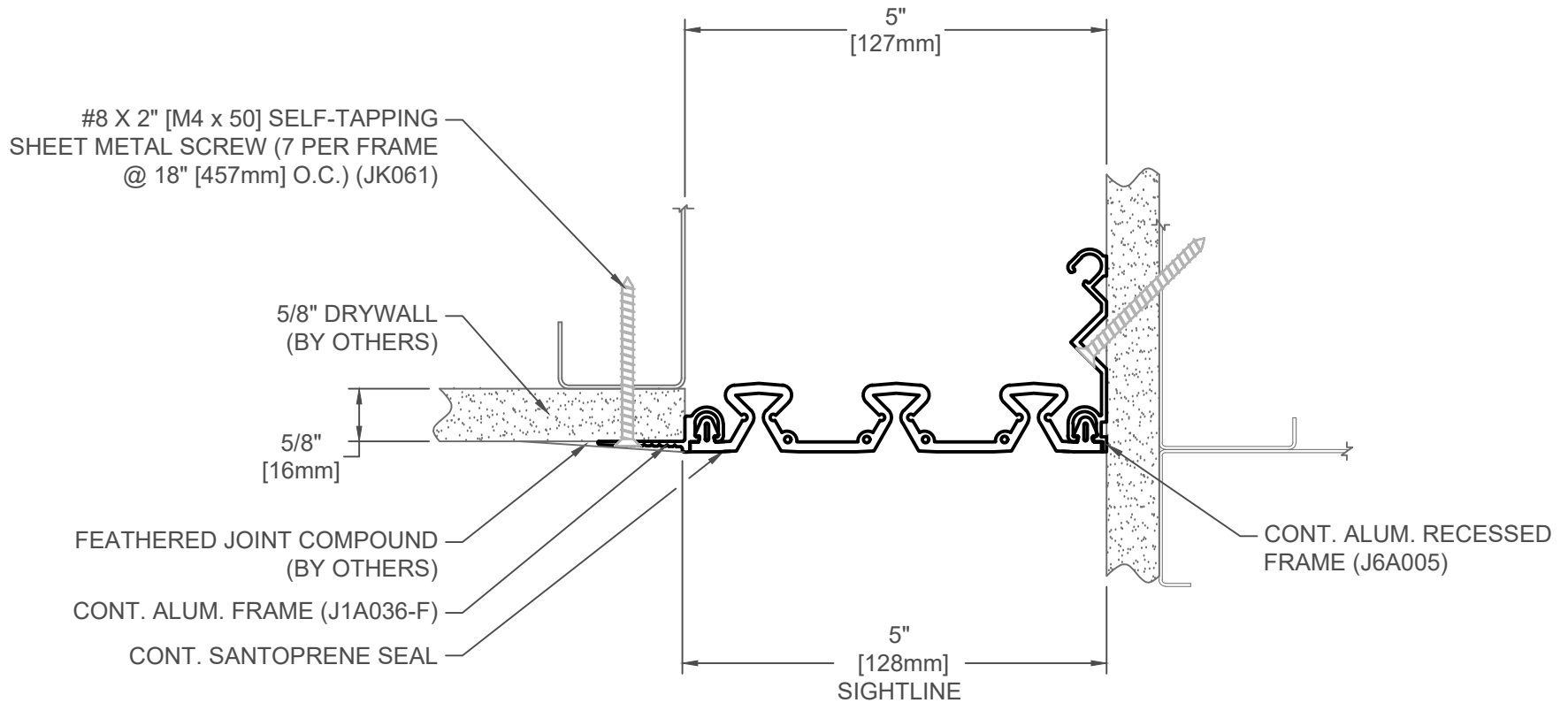
DATE: 03-02-17

SCALE: 1:2

DOC: CADJM.080/R3

inpro.

For More Information Visit: Inprocorp.com



114-A09-125

SPECIFY SEAL COLOR:	
Black (J6D501)	
Beige (J6D502)	
Gray (J6D503)	
Off White (J6D504)	
Bright White (J2D505)	

JOINT WIDTH		MOVEMENT ±			
		HORIZONTAL		VERTICAL	
US	mm	US	mm	US	mm
5"	127	2 1/2"	64	2 1/2"	64

FINISH: ALUM. FINISH-MILL

PROJECT:

CUSTOMER:

LOCATION:

APPLICATION-
WALL/CORNER, WALL/CEILING
SEISMIC WALL AND CEILING SYSTEMS

DATE: 03-02-17

SCALE: 1:2

DOC: CADJM.080/R3

inpro.

For More Information Visit: Inprocorp.com

#8 X 2" [M4 x 50] SELF-TAPPING SHEET METAL SCREW (7 PER FRAME @ 18" [457mm] O.C.) (JK061)

5/8" DRYWALL (BY OTHERS)

5/8" [16mm]

FEATHERED JOINT COMPOUND (BY OTHERS)

CONT. ALUM. FRAME (J1A036-F)

CONT. SANTOPRENE SEAL

6" [152mm]

6" [153mm] SIGHTLINE

CONT. ALUM. RECESSED FRAME (J6A005)

114-A09-150

SPECIFY SEAL COLOR:	
Black (J6D601)	
Beige (J6D602)	
Gray (J6D603)	
Off White (J6D604)	
Bright White (J2D605)	

JOINT WIDTH		MOVEMENT ±			
		HORIZONTAL		VERTICAL	
US	mm	US	mm	US	mm
6"	152	3"	76	3"	76

FINISH: ALUM. FINISH-MILL

PROJECT:

CUSTOMER:

LOCATION:

APPLICATION-
WALL/CORNER, WALL/CEILING
SEISMIC WALL AND CEILING SYSTEMS

DATE: 03-02-17

SCALE: 1:2

DOC: CADJM.080/R3

inpro.

For More Information Visit: Inprocorp.com