

Installation Instructions

2500/2500W/G2-2500 Chair Rail

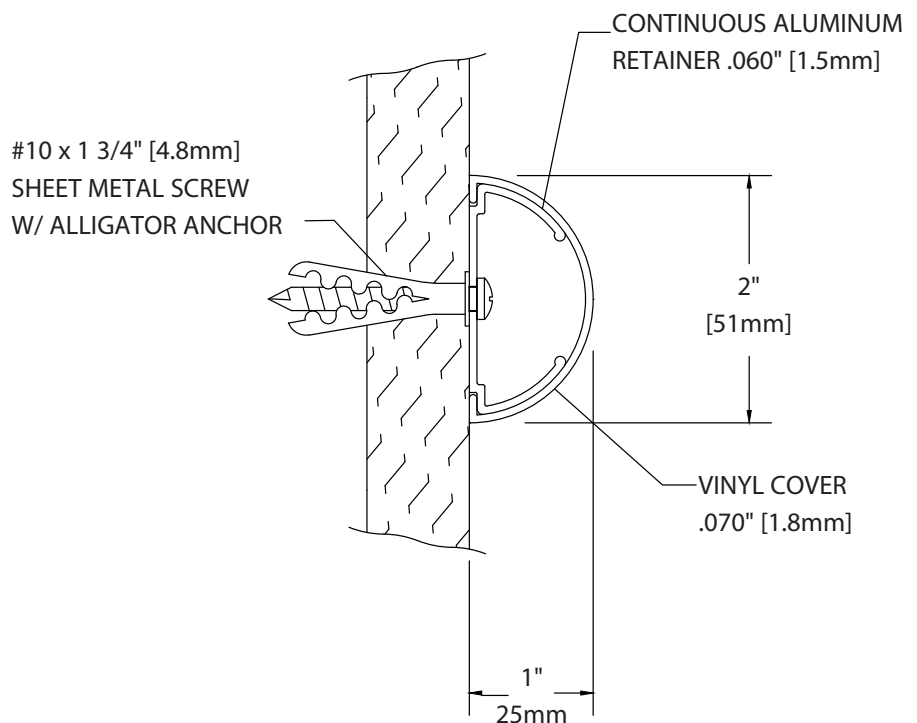
Please read all instructions before installing wallguard.

Important

1. Acclimate materials 24 hrs before installation. Maintain temperature controlled environment after installation.
2. Install in accordance with manufacturer's installation instructions. Failure to do so will void the warranty.

Installation tips

1. Cut covers up to 1/16" (1.6mm) longer to ensure a tight fit.
2. Lubricate blades when cutting aluminum to reduce burrs.



Recommended tools

Safety Glasses, Tape Measure, Level, Phillips and Flat head Screwdrivers, Power Drill, Drill Bits - 1/4" masonry (concrete/concrete block), Power Miter Saw, 10" Blade with 60-80 Carbide Tipped Teeth.

IPC.365/REV.9

Installation Hotline • 866.EZINPRO
Inprocorp.com • 800.222.5556 • 262.679.9010
World Headquarters S80 W18766 Apollo Drive, Muskego, WI 53150 USA

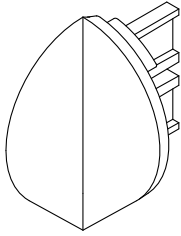
IPC® •
DOOR + WALL PROTECTION SYSTEMS
A DIVISION OF INPRO®

Installation Instructions

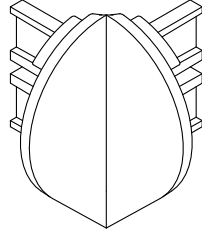
2500/2500W/G2-2500 Chair Rail

Please read all instructions before installing wallguard.

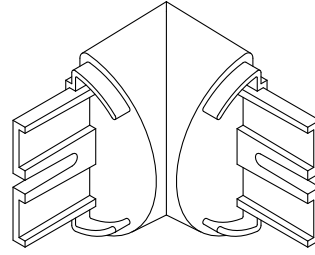
PARTS



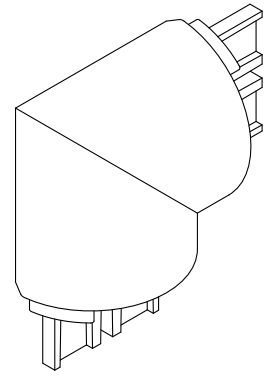
2501
RETURN



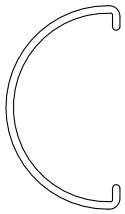
2502
OUTSIDE
CORNER



2503
INSIDE
CORNER



2504
PICTURE-FRAME
CORNER



2500V
COVER



2500A-P
COVER



#8 X 1 1/2
PHILLIPS INDENTED
HEX HEAD SCREW

WALL CONDITION	SPECIFIED FASTENERS	INPRO PART#
WOOD STUD/GYPSUM WALL	#8 X 1 1/2" PHILLIPS INDENTED HEX WASHER SELF-DRILLING #2PT ZP	HWK-CDW
PROFILE HARDWARE	#10 X 1 3/4" PHILLIPS PAN HEAD SHEET METAL SCREW, 1/4" ALLIGATOR ANCHOR	HWK-CR
CONCRETE/CONCRETE BLOCK	#10 X 1 3/4" PHILLIPS PAN HEAD SHEET METAL SCREW, 1/4" ALLIGATOR ANCHOR	HWK-CC

Installation Hotline • 866.EZINPRO
 Inprocorp.com • 800.222.5556 • 262.679.9010
 World Headquarters S80 W18766 Apollo Drive, Muskego, WI 53150 USA

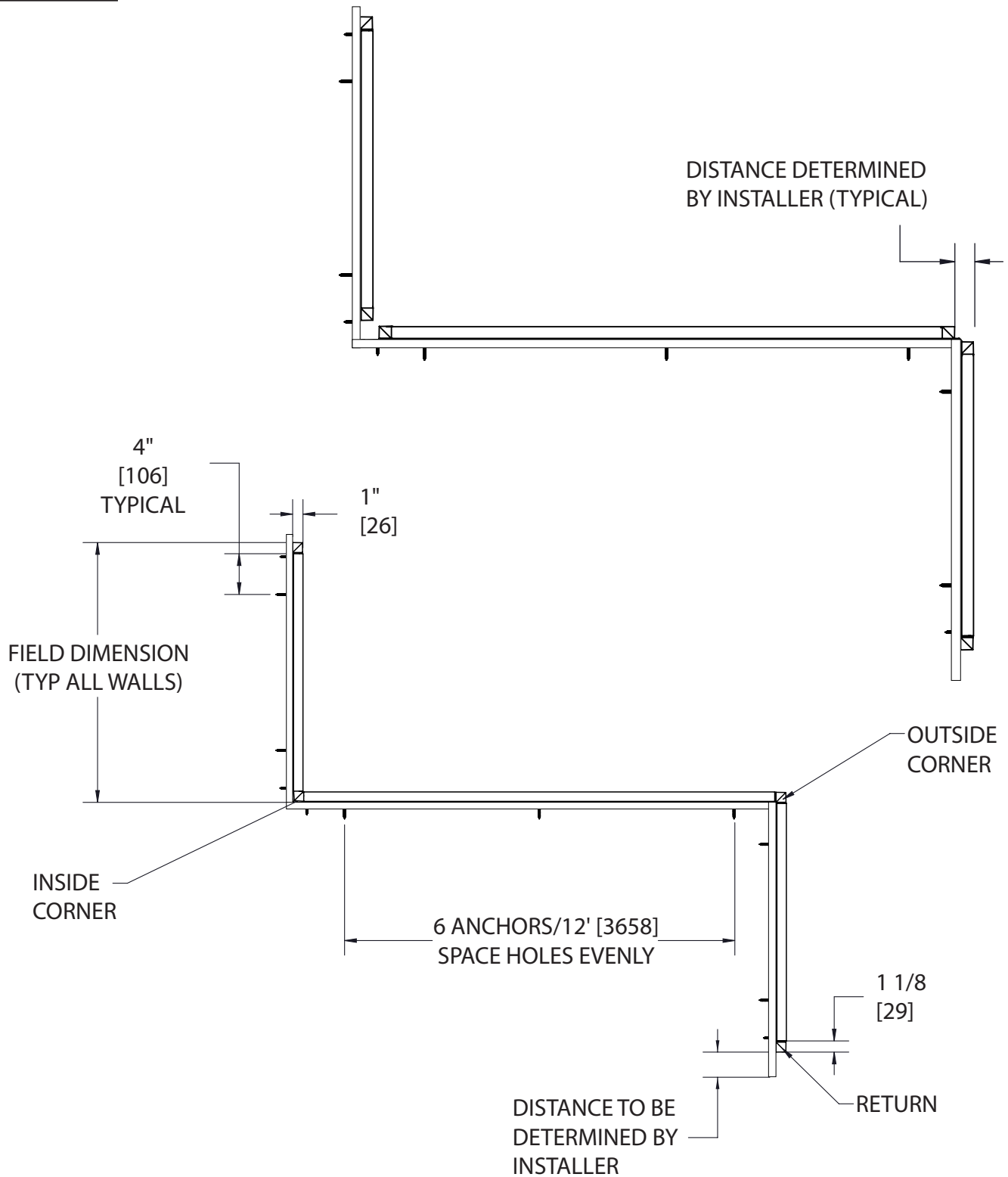
IPC® •
 DOOR + WALL PROTECTION SYSTEMS
 A DIVISION OF INPRO®

Installation Instructions

2500/2500W/G2-2500 Chair Rail

Please read all instructions before installing wallguard.

LAYOUT VIEWS



Installation Hotline • 866.EZINPRO

Inprocorp.com • 800.222.5556 • 262.679.9010

World Headquarters S80 W18766 Apollo Drive, Muskego, WI 53150 USA

IPC®

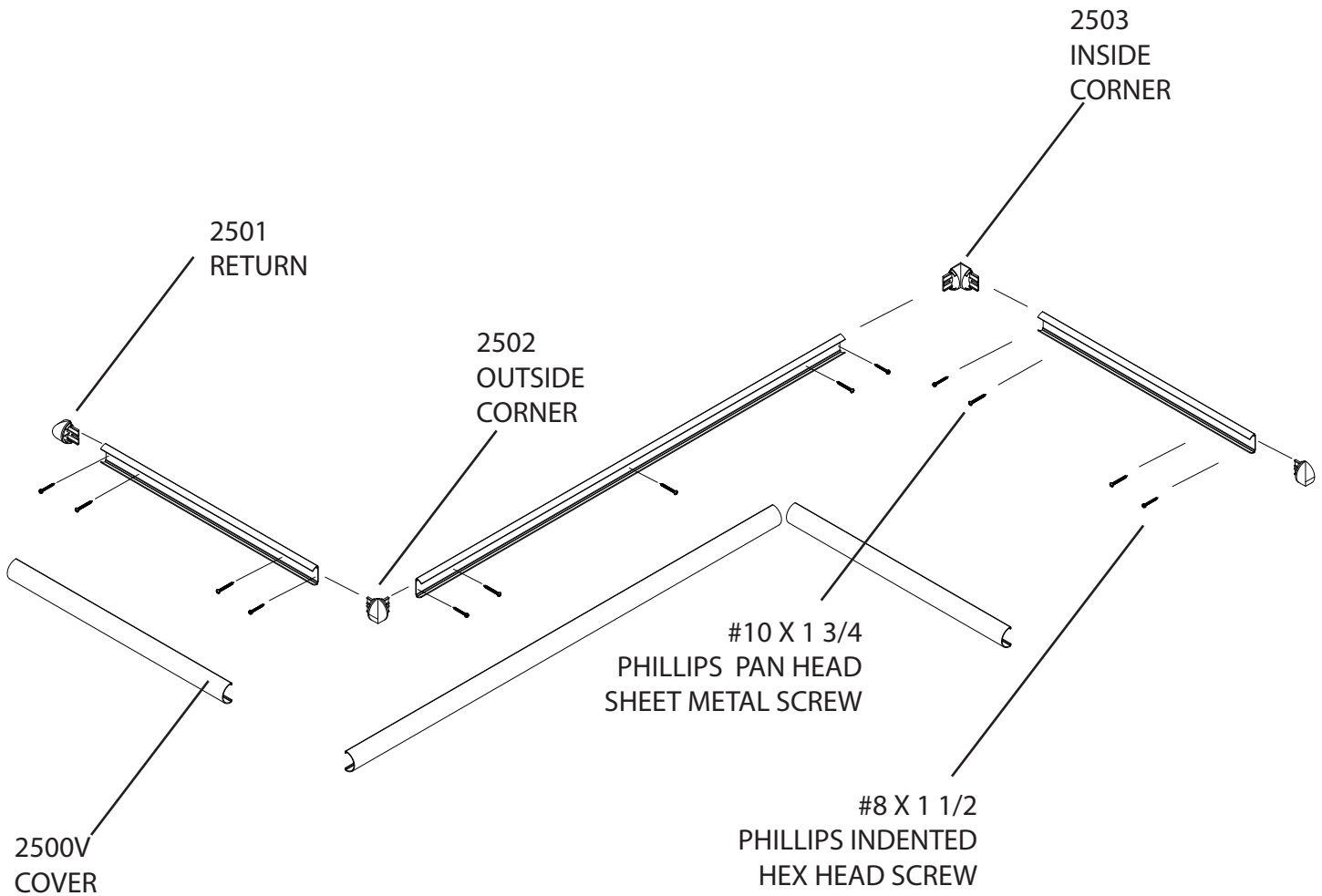
DOOR + WALL PROTECTION SYSTEMS
A DIVISION OF INPRO®

Installation Instructions

2500/2500W/G2-2500 Chair Rail

Please read all instructions before installing wallguard.

EXPLODED VIEW



Installation Hotline • 866.EZINPRO

Inprocorp.com • 800.222.5556 • 262.679.9010

World Headquarters S80 W18766 Apollo Drive, Muskego, WI 53150 USA

IPC® •

DOOR + WALL PROTECTION SYSTEMS
A DIVISION OF INPRO®

Installation Instructions

2500/2500W/G2-2500 Chair Rail

Please read all instructions before installing wallguard.

FIG. 1

1. Cut aluminum retainer to desired length, leaving allowance for end caps, inside corners, outside corners and picture frame corners. See Figure 1.

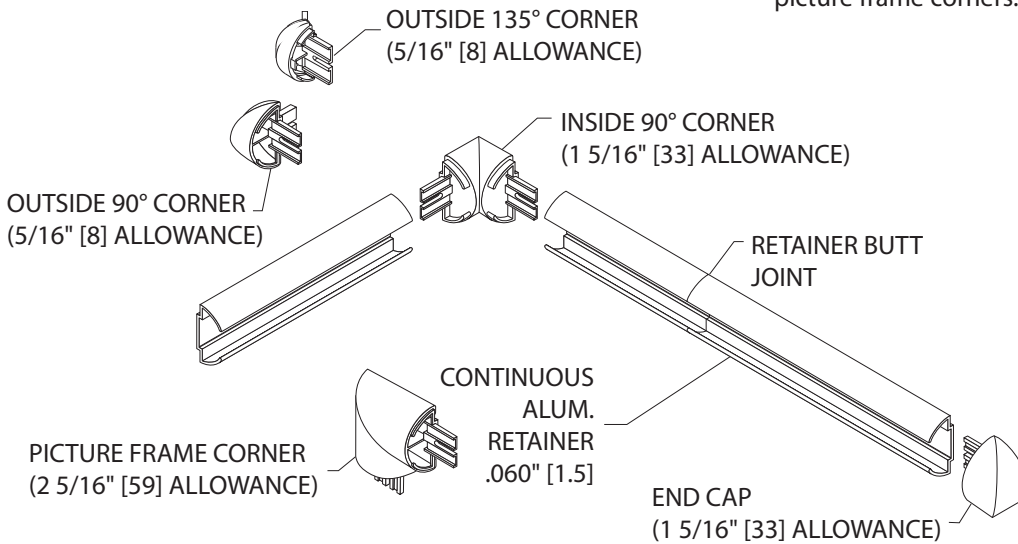
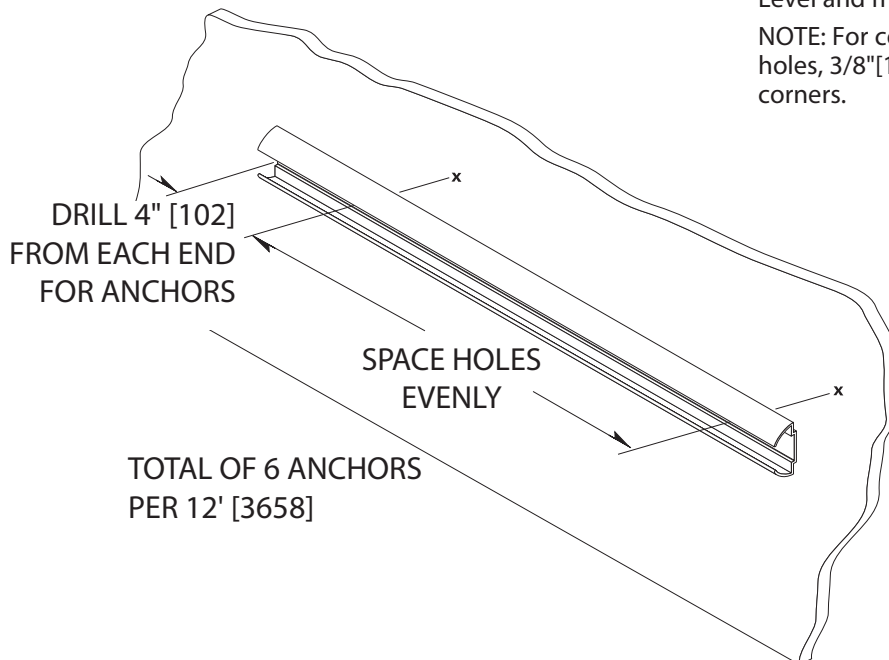


FIG. 2

2. Drill holes in centerline of retainer using 1/4" drill bit. Position retainer on wall allowing for end caps/corners. Level and mark holes. See Figure 2.

NOTE: For concrete or brick wall installation, drill 1/4" holes, 3/8" [10mm] from each end of retainer for end caps/corners.



Installation Hotline • 866.EZINPRO
 Inprocorp.com • 800.222.5556 • 262.679.9010
 World Headquarters S80 W18766 Apollo Drive, Muskego, WI 53150 USA

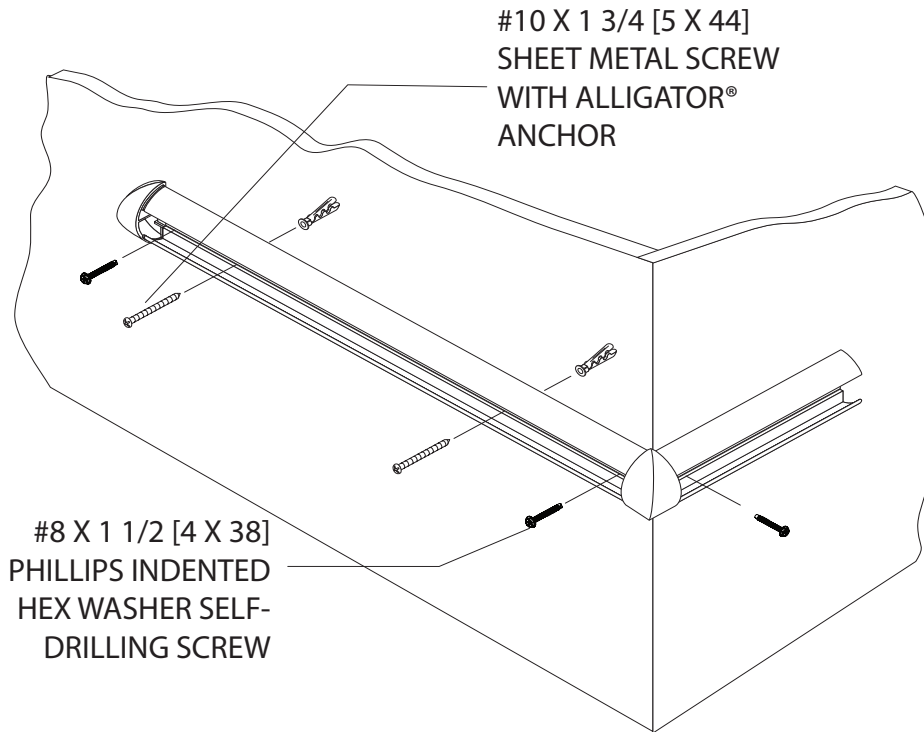
IPC®
 DOOR + WALL PROTECTION SYSTEMS
 A DIVISION OF INPRO®

Installation Instructions

2500/2500W/G2-2500 Chair Rail

Please read all instructions before installing wallguard.

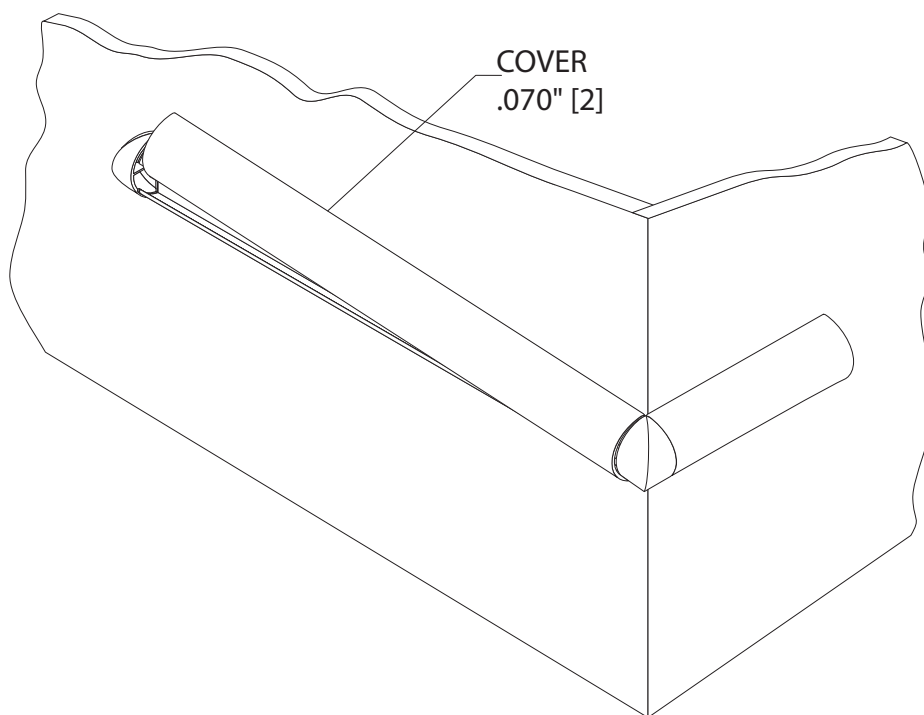
FIG. 3



3. Drill marked holes on wall using a 1/4" drill bit and position Alligator anchors into holes. Mount retainer on wall and tighten screws to secure. Slide end caps and corners onto the retainer and secure, leaving a 1/16" [1.5mm] gap between returns/corners and retainer to allow for adjustment. See Figure 3.

NOTE: For concrete or brick wall installation, use #10 x 1 3/4" Phillips pan head screws to secure end caps and corners.

FIG. 4



4. Cut the cover to length between end caps and/or corners. (Note: Trim factory edges square before installation). Position cover on retainer and adjust end caps and/or corners for a tight fit. Starting at one end, push cover onto retainer until it snaps into place. See Figure 4.