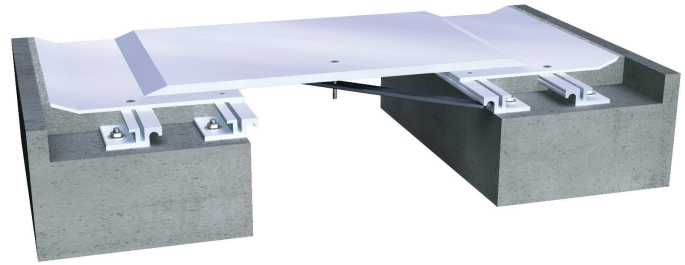


421 Series

A01 -Floor to Floor
A02 - Floor to Wall



Movement Rating ± 50%

Product Guide



Thermal



Exterior



Interior



Fire Rated
Option



Vapor Barrier
Option



Seismic



Heavy
Duty

- ▶ Heavy duty loading system
- ▶ Accommodates expansion joint widths from 2-24" (50-600mm)
- ▶ Brushed or mill finish options
- ▶ Seismic capable system with spring loaded, high strength stainless steel center bar
- ▶ Highly customizable system
- ▶ For loading contact your Inpro Rep. to have the system designed specifically for your project's load requirements
- ▶ Refer to 721 Series for stainless steel options
- ▶ Available in larger widths, contact Inpro Corporation for more details

Application	System (421)	W		H1		H2		S		B		Movement +/-			
		Joint Width		Frame Height 1		Height 2		Sightline		Blockout		Horizontal		Vertical	
		US	mm	US	mm	US	mm	US	mm	US	mm	US	mm	US	mm
Floor to Floor	421-A01-100	4"	100	1 3/8"	35	*	*	11 3/8"	290	4 3/4"	120	2"	51	1"	25
	421-A01-150	6"	150	1 3/8"	35	*	*	14 3/8"	367	5 1/4"	132	3"	76	1 1/2"	38
	421-A01-200	8"	200	1 3/8"	35	*	*	17 3/8"	443	5 3/4"	146	4"	102	2"	51
	421-A01-250	10"	250	1 3/8"	35	*	*	19 3/8"	494	5 3/4"	146	5"	127	2 1/2"	63
Floor to Wall	421-A02-100	4"	100	1 3/8"	35	*	*	7 3/4"	196	4 3/4"	120	1"	25	1/2"	13
	421-A02-150	6"	150	1 3/8"	35	*	*	10 1/4"	259	5 1/4"	132	1 1/2"	38	3/4"	19
	421-A02-200	8"	200	1 3/8"	35	*	*	12 3/4"	323	5 3/4"	146	2"	51	1"	25
	421-A02-250	10"	250	1 3/8"	35	*	*	14 3/4"	374	5 3/4"	146	2 1/2"	64	1 1/4"	32

Available in larger widths, contact Inpro Corporation for more details.

IPC.1522/REV.7

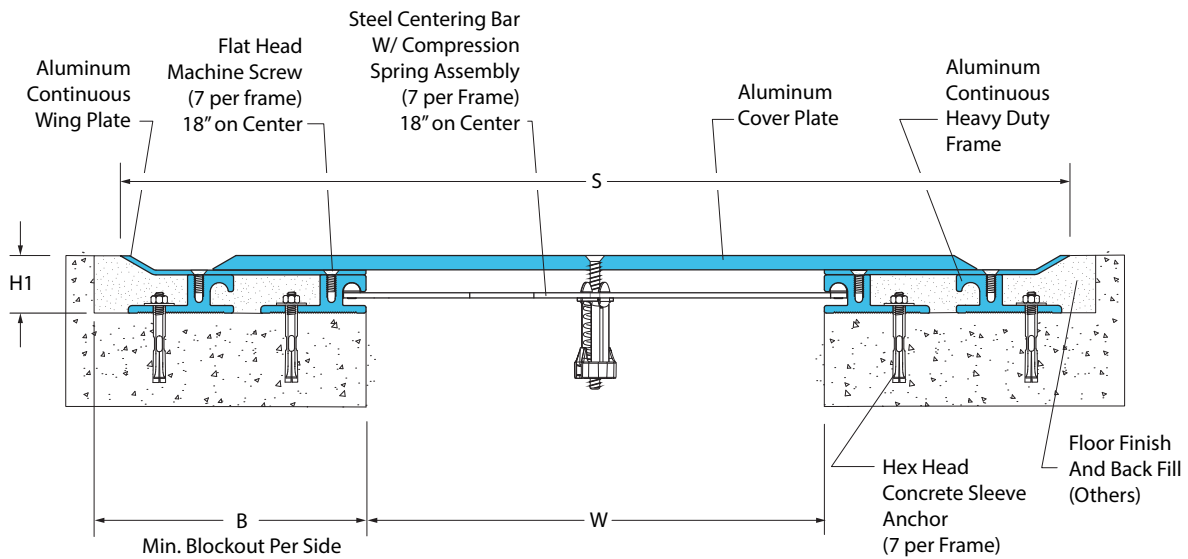
Inprocorp.com • 800.222.5556 • 262.679.9010
World Headquarters S80 W18766 Apollo Drive, Muskego, WI 53150 USA

JOINTMASTER®
EXPANSION JOINT SYSTEMS
A DIVISION OF INPRO®

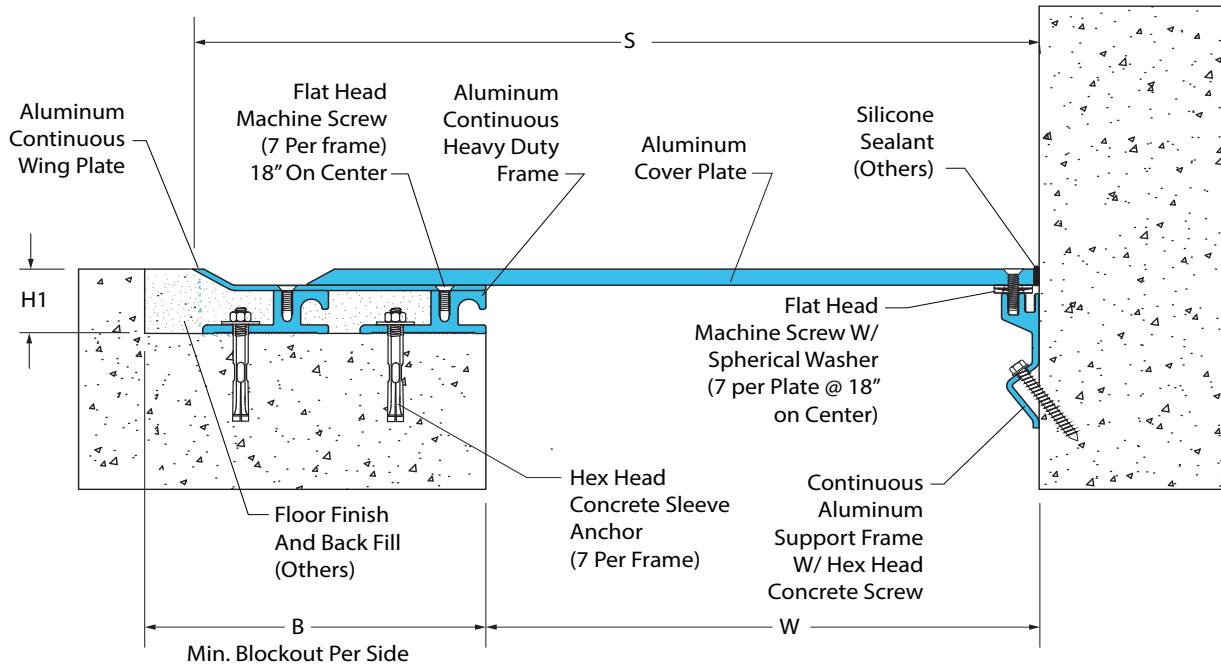
421 Series

Wing Plate Floor Systems

421-A01 Floor to Floor
(12" (300mm) system shown)



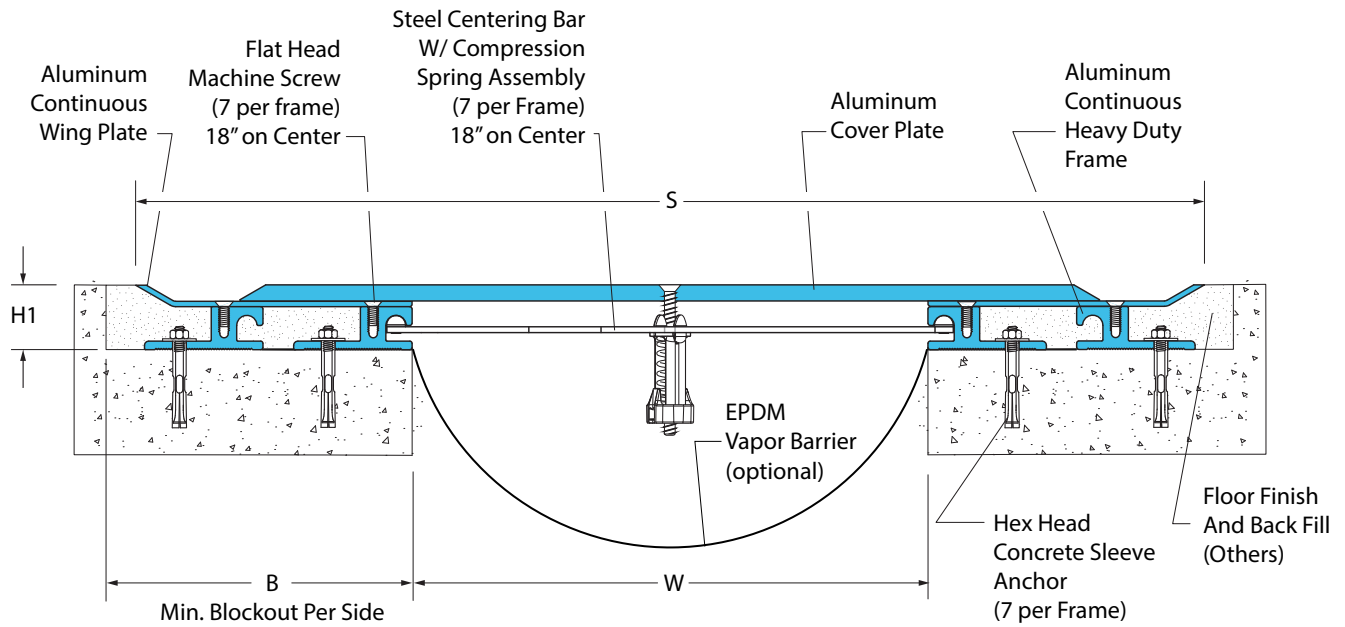
421-A02 Wall/Corner, Wall/Ceiling
(12" (300mm) system shown)



421 Series

Options

Vapor Barrier System
(421-A01-300 system shown)



Fire Blanket System
(421-A01-300 system shown)

