

# Installation Instructions

## Joint System: 421-A01

NOTE: Verify that the structural gap and blockout dimensions are in conformance with submittal data before beginning installation. If this a Fire Rated Assembly, the fire barrier must be installed before the Architectural Joint System. Refer to the fire barrier instructions for specific system installation.

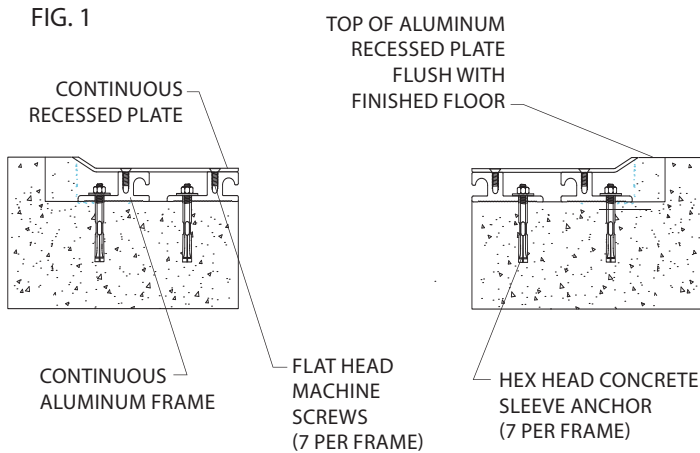


Figure 1

1. Install the architectural joint system on a level surface within the blockout. Make sure the tops of the recess plate are level with the finished floor height. This may require adding leveling compound to raise the tops of the frames.

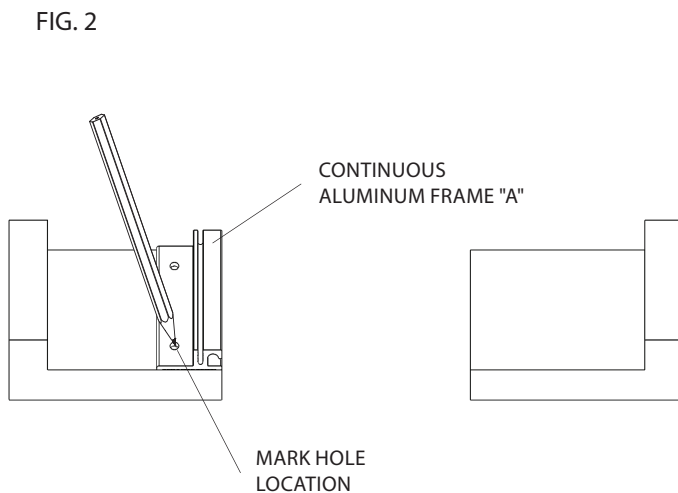


Figure 2

2. Cut the aluminum components to desired length
3. Align first aluminum frame "A" to the edge structural gap.
4. Mark the pre drilled hole locations on the floor substrate and remove from the block out.
5. Drill holes into the blockout using a 5/16" (8mm) concrete drill bit to 3" (76 mm) depth.
6. Replace and install frame A. Secure using JK010 5/16" x 2 1/2" hex head concrete sleeve anchors.

IPC.1341/REV.3

Installation Hotline • 866.EZINPRO  
Inprocorp.com • 800.222.5556 • 262.679.9010  
World Headquarters S80 W18766 Apollo Drive, Muskego, WI 53150 USA

**JOINTMASTER®**  
EXPANSION JOINT SYSTEMS  
A DIVISION OF INPRO®

# Installation Instructions

Joint System: 421-A01

FIG. 3

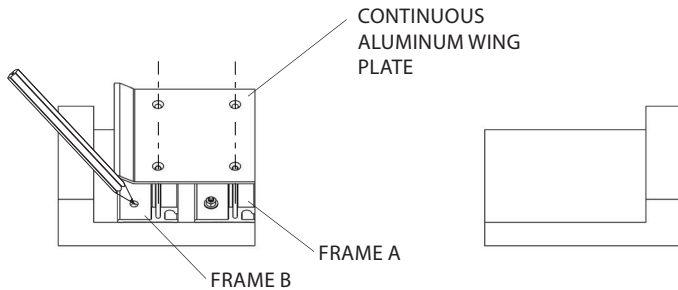


Figure 3

7. Use the wing plate and frame "A" to locate the rear frame "B" position. Place frame "B" within the blockout loosely. Then place the wing plate down and center the holes with each of the frames to ensure proper spacing. Mark the hole locations for frame "B" and remove wing plate from blockout.

8. Drill holes into the blockout at marked hole locations using a 5/16" (8mm) concrete drill bit to 3" (76 mm) depth.

FIG. 4

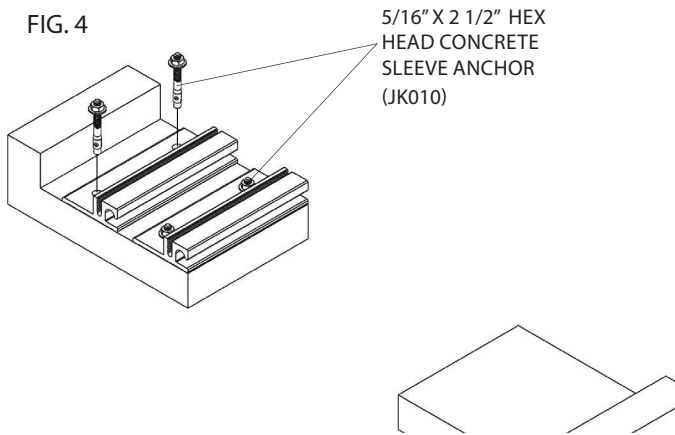


Figure 4

9. Return frame "B" into position over the drilled hole locations and secure using JK010 5/16" x 2 1/2" hex head concrete sleeve anchors.

10. Test fit the wing plate by attaching to aluminum frames with JK037 1/4-20 x 5/8" flat head machine screws. Remove wing plate after alignment checks out.

FIG. 5

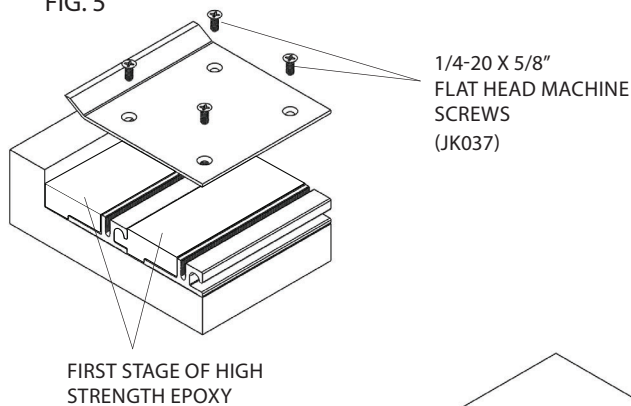


Figure 5

11. Blockout must be back filled in two stages. At the first stage, fill with high strength epoxy grout material level to top of frame. \*DO NOT go above frame.\*

12. Reattach wing plate with JK037 1/4-20 x 5/8" flat head machine screws.

13. Complete second stage of backfilling blockout with high strength epoxy grout. Keep level to concrete floor.

Installation Hotline • 866.EZINPRO

Inprocorp.com • 800.222.5556 • 262.679.9010

World Headquarters S80 W18766 Apollo Drive, Muskego, WI 53150 USA

**JOINTMASTER®**

EXPANSION JOINT SYSTEMS  
A DIVISION OF INPRO®

# Installation Instructions

Joint System: 421-A01

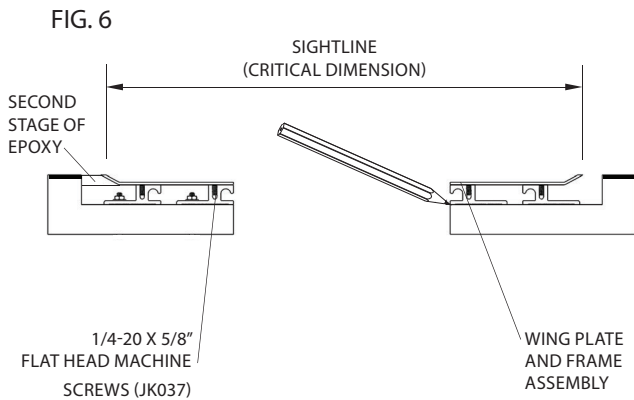


Figure 6

14. Taking note of the sightline critical dimension, repeat steps 4 through 12 for the opposite side assembly.

15. Once both assemblies are completed, move on to step 15.

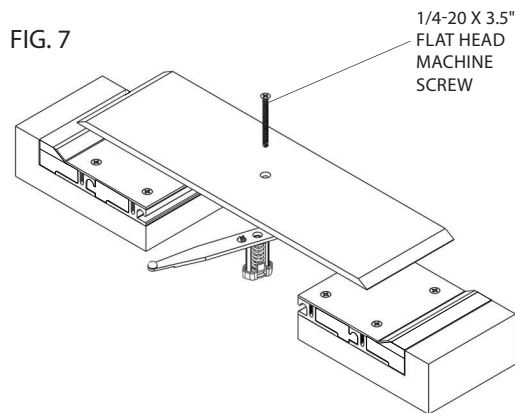


Figure 7

16. Insert JKXXX 1/4-20 x 3.5" flat head machine screws into pre-drilled countersunk holes in the plate. Thread centering bar loosely onto each screw with rounded domes facing the center plate.

17. Place the plate assembly onto the frames and center over the structural gap with all the centering bars running parallel along the joint. By hand slowly tighten each plate screw, which will rotate the centering bar towards the frame channels. As the screw draws the centering bar towards the plate the button on each end of the centering bar will engage inside the radius channel of the frame.

FIG. 8

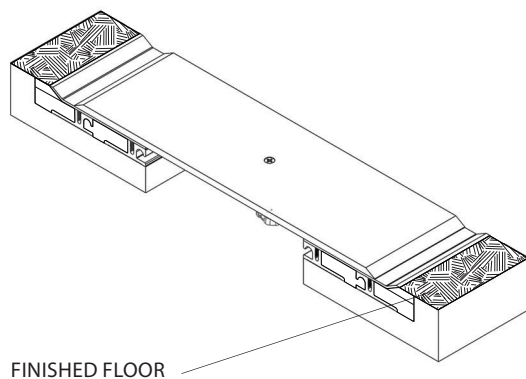


Figure 8

18. Install floor finish level to the stops of the frames. Clean the exposed surfaces with a non-solvent cleaner such as 409 as required.