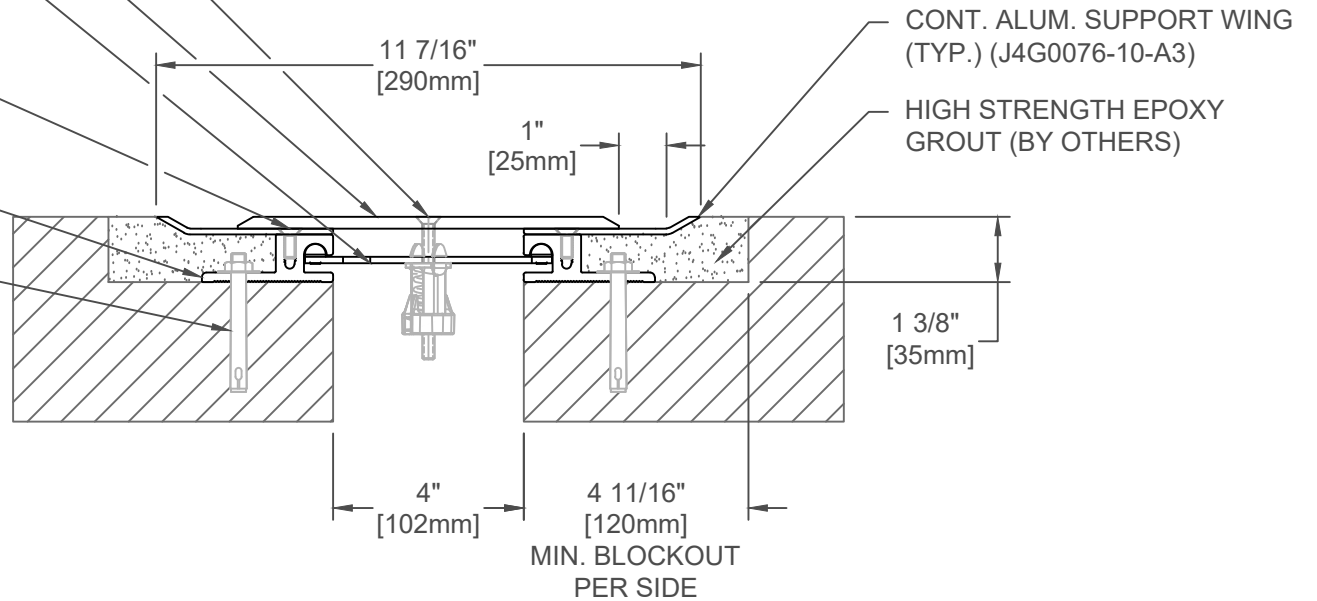


- 1/4"-20 X 3" PHILLIPS FLAT HEAD
MACHINE SCREW (7 PER PLATE @ 18"
[457mm] O.C.) (JK178)
- 1/4" [6mm] CONT. ALUM.
PLATE (J4B0203-06-A1)
- STEEL CENTERING BAR (WITH
PRE-ATTACHED COMPRESSION
SPRING ASSEMBLY) (7 PER PLATE @
18" [457mm] O.C.) (J4J012-W-7)
- 1/4"-20 X 5/8" FLAT HEAD
MACHINE SCREW (7 PER COVER
@ 18" [457mm] O.C.) (JK037)
- CONT. ALUM. HEAVY DUTY
FRAME (J7A004-F)
- 5/16" X 2 1/2" [M8x64] HEX HEAD
CONCRETE SLEEVE ANCHOR (7 PER
FRAME @ 18" [457mm] O.C.) (JK010)



421-A01-100

JOINT WIDTH		MOVEMENT ±			
		HORIZONTAL		VERTICAL	
US	mm	US	mm	US	mm
4"	102	2"	51	1"	25

FINISH: MILL
PROJECT:
CUSTOMER:
LOCATION:

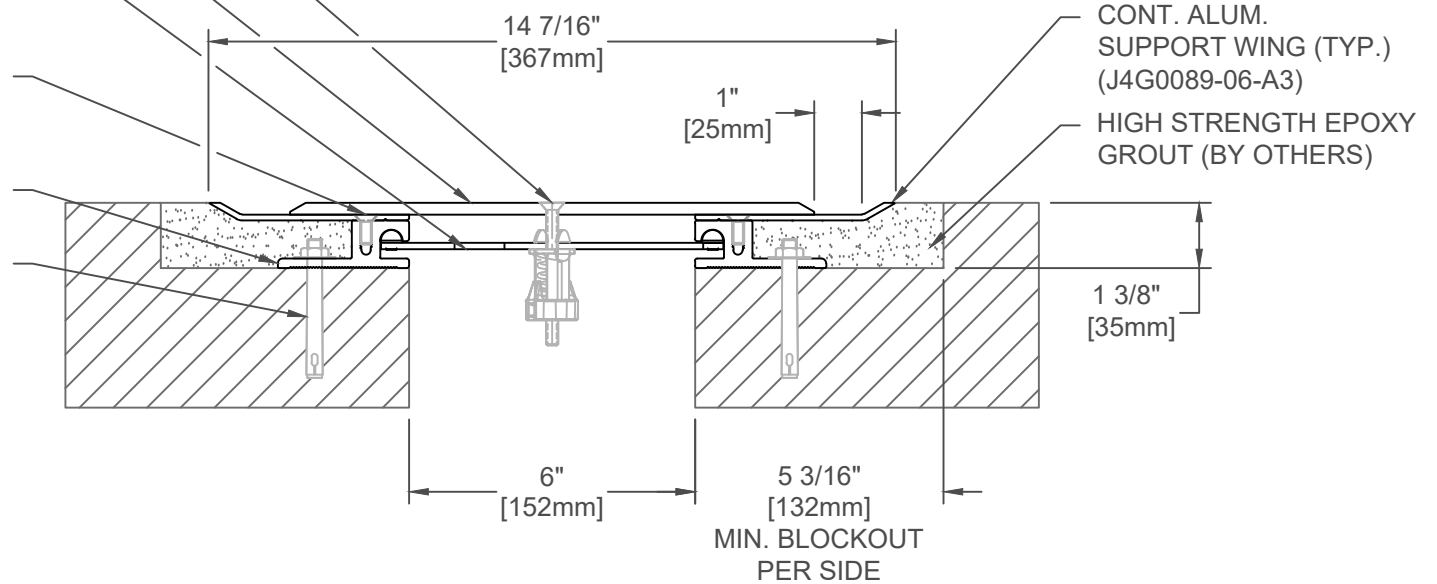
APPLICATION-
HEAVY DUTY
FLOOR/FLOOR CONDITION

DATE:	9/10/17
SCALE:	1:4
DOC:	CADJM.114/R2

inpro.

For More Information Visit: Inprocorp.com

- 1/4"-20 X 3" PHILLIPS FLAT HEAD MACHINE SCREW (7 PER PLATE @ 18" [457mm] O.C.) (JK178)
- 1/4" [6mm] CONT. ALUM. PLATE (J4B0279-06-A1)
- STEEL CENTERING BAR (WITH PRE-ATTACHED COMPRESSION SPRING ASSEMBLY) (7 PER PLATE @ 18" [457mm] O.C.) (J4J012-W-7)
- 1/4"-20 X 5/8" FLAT HEAD MACHINE SCREW (7 PER COVER @ 18" [457mm] O.C.) (JK037)
- CONT. ALUM. HEAVY DUTY FRAME (J7A004-F)
- 5/16" X 2 1/2" [M8x64] HEX HEAD CONCRETE SLEEVE ANCHOR (7 PER FRAME @ 18" [457mm] O.C.) (JK010)



421-A01-150

JOINT WIDTH		MOVEMENT ±			
		HORIZONTAL		VERTICAL	
US	mm	US	mm	US	mm
6"	152	3"	76	1 1/2"	38

FINISH: MILL
PROJECT:
CUSTOMER:
LOCATION:

APPLICATION-
HEAVY DUTY
FLOOR/FLOOR CONDITION

DATE:	9/10/17
SCALE:	1:4
DOC:	CADJM.114/R2

1/4"-20 X 3" PHILLIPS FLAT
HEAD MACHINE SCREW (7 PER
PLATE @ 18" [457mm] O.C.)
(JK178)

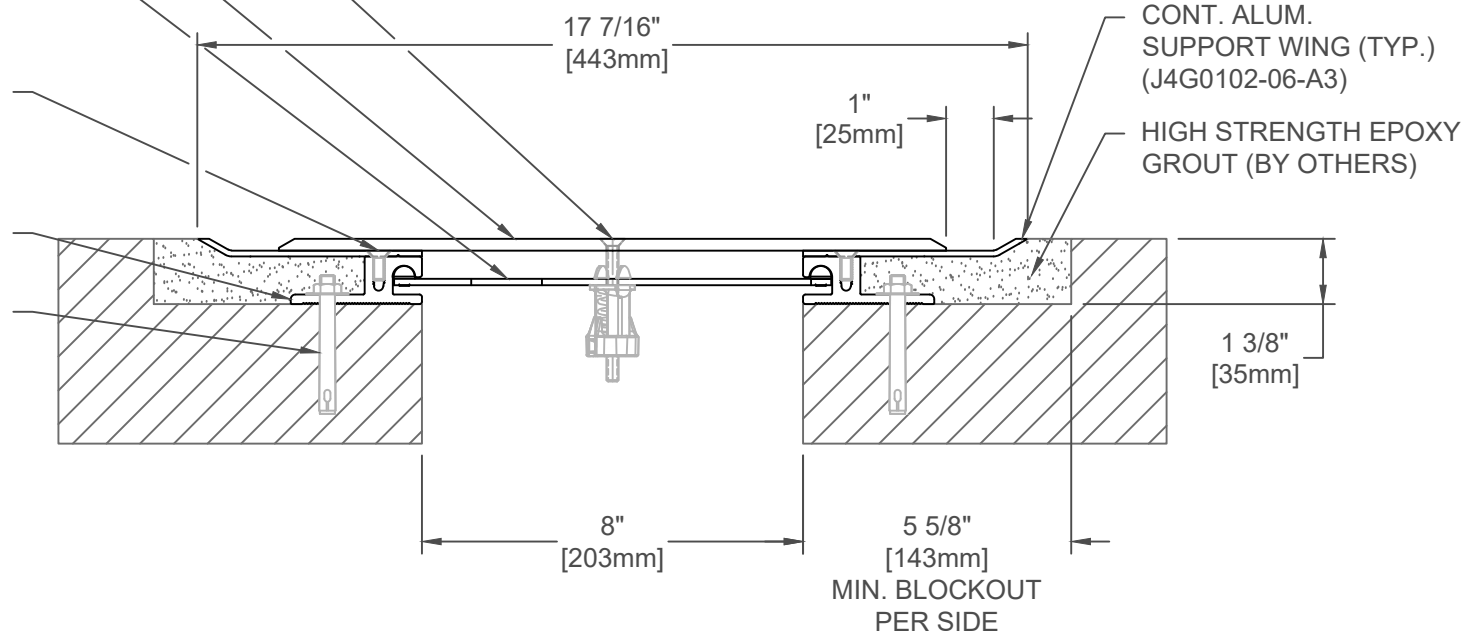
1/4" [6mm] CONT. ALUM.
PLATE (J4B0356-06-A1)

STEEL CENTERING BAR (WITH
PRE-ATTACHED
COMPRESSION SPRING
ASSEMBLY) (7 PER PLATE @
18" [457mm] O.C.) (J4J018-W-7)

1/4"-20 X 5/8" FLAT HEAD
MACHINE SCREW (7 PER
COVER @ 18" [457mm]
O.C.) (JK037)

CONT. ALUM. HEAVY
DUTY FRAME (J7A004-F)

5/16" X 2 1/2" [M8x64] HEX
HEAD CONCRETE SLEEVE
ANCHOR (7 PER FRAME @ 18"
[457mm] O.C.) (JK010)



421-A01-200

JOINT WIDTH		MOVEMENT ±			
		HORIZONTAL		VERTICAL	
US	mm	US	mm	US	mm
8"	203	4"	102	2"	51

FINISH: MILL
PROJECT:
CUSTOMER:
LOCATION:

APPLICATION-
HEAVY DUTY
FLOOR/FLOOR CONDITION

DATE:	9/10/17
SCALE:	1:4
DOC:	CADJM.114/R2



For More Information Visit: Inprocorp.com

1/4"-20 X 3" PHILLIPS FLAT HEAD MACHINE SCREW (7 PER PLATE @ 18" [457mm] O.C.) (JK178)

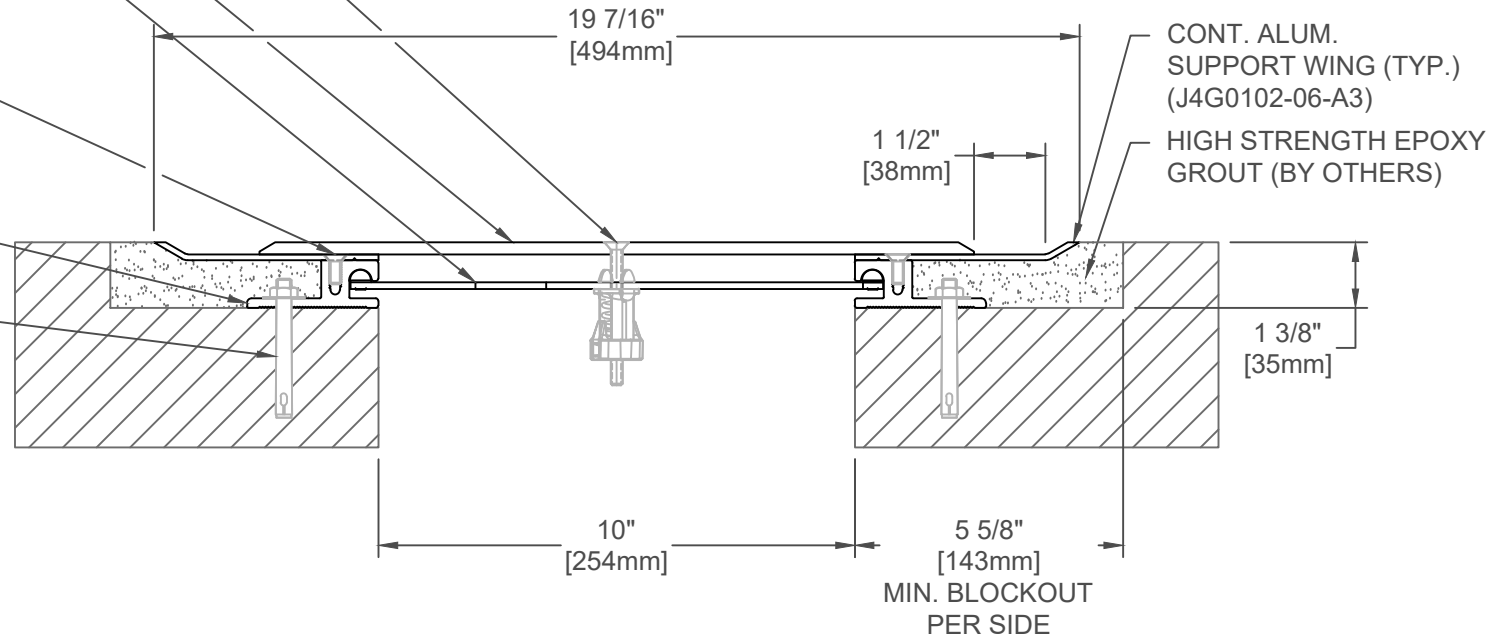
1/4" [6mm] CONT. ALUM. PLATE (J4B0381-06-A1)

STEEL CENTERING BAR (WITH PRE-ATTACHED COMPRESSION SPRING ASSEMBLY) (7 PER PLATE @ 18" [457mm] O.C.) (J4J018-W-7)

1/4"-20 X 5/8" FLAT HEAD MACHINE SCREW (7 PER COVER @ 18" [457mm] O.C.) (JK037)

CONT. ALUM. HEAVY DUTY FRAME (J7A004-F)

5/16" X 2 1/2" [M8x64] HEX HEAD CONCRETE SLEEVE ANCHOR (7 PER FRAME @ 18" [457mm] O.C.) (JK010)



421-A01-250

JOINT WIDTH		MOVEMENT ±			
		HORIZONTAL		VERTICAL	
US	mm	US	mm	US	mm
10"	254	5"	127	2 1/2"	63

FINISH: MILL
PROJECT:
CUSTOMER:
LOCATION:

APPLICATION-
HEAVY DUTY
FLOOR/FLOOR CONDITION

DATE:	9/10/17
SCALE:	1:4
DOC:	CADJM.114/R2

inpro.
For More Information Visit: Inprocorp.com