

1/4" [6mm] CONT. ALUM. PLATE  
(J4L0150-06-A1)

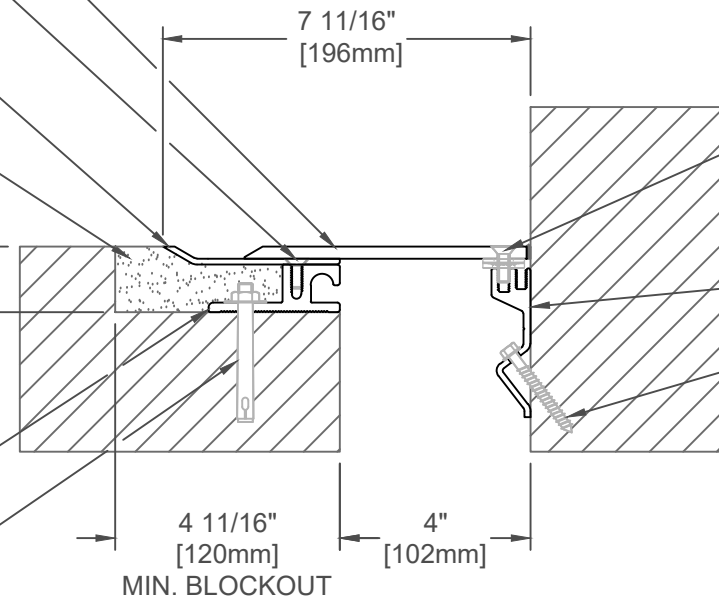
1/4"-20 X 5/8" FLAT HEAD  
MACHINE SCREW (7 PER COVER  
@ 18" [457mm] O.C.) (JK037)

CONT. ALUM. SUPPORT  
WING (J4G0076-06-A3)

HIGH STRENGTH EPOXY  
GROUT (BY OTHERS)

1 3/8"  
[35mm]

CONT. ALUM. HEAVY  
DUTY FRAME (J7A004-F)  
5/16" X 2 1/2" [M8x64] HEX  
HEAD CONCRETE SLEEVE  
ANCHOR (7 PER FRAME @  
18" [457mm] O.C.) (JK010)



1/4"-20 X 3/4" FLAT HEAD  
MACHINE SCREW & SPHERICAL  
WASHER (7 PER COVER @ 18"  
[457mm] O.C.) (JK194 & JK150)

CONT. ALUM. SUPPORT FRAME  
(J3A121)

1/4" x 2 1/4 [M6x56] HEX HEAD  
CONCRETE SCREW (7 PER FRAME  
@ 18" [457mm] O.C.) (JK001)

## 421-A02-100

JOINT WIDTH		MOVEMENT ±			
		HORIZONTAL		VERTICAL	
US	mm	US	mm	US	mm
4"	102	1"	25	1/2"	13

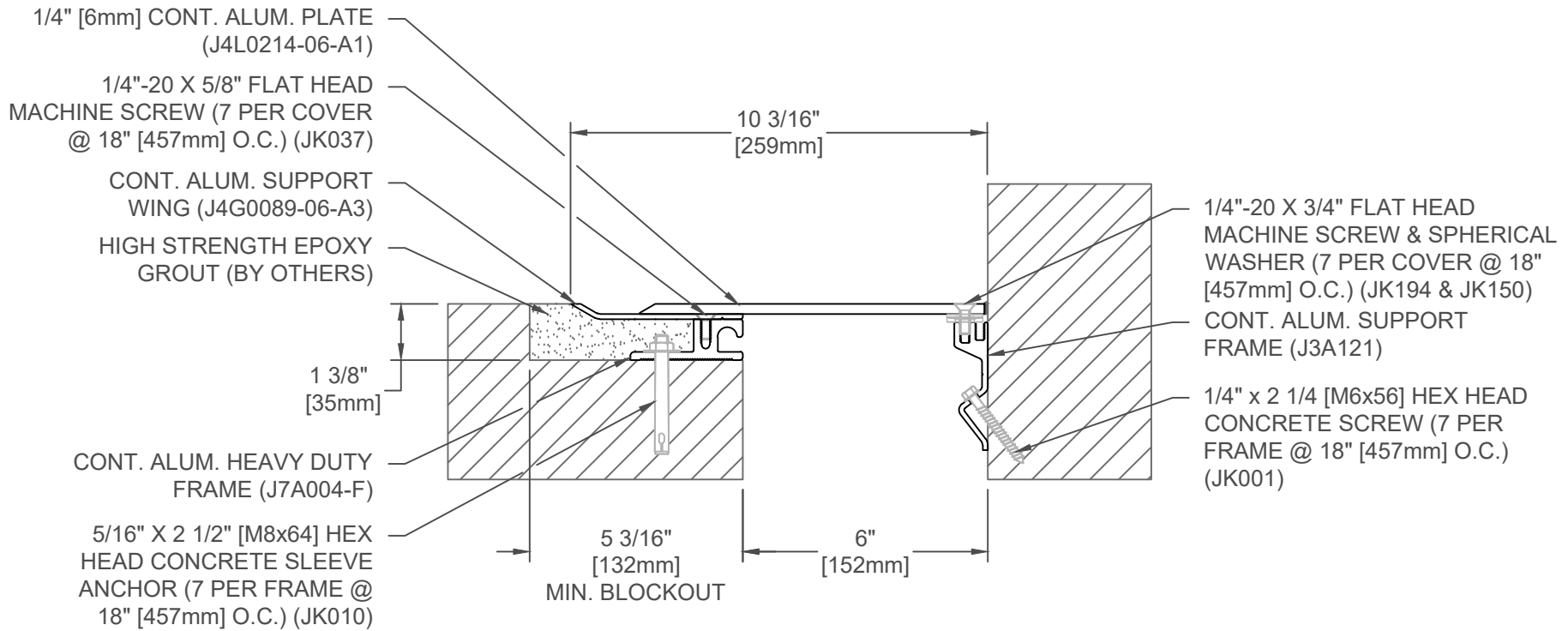
FINISH: MILL
PROJECT:
CUSTOMER:
LOCATION:

APPLICATION-  
HEAVY DUTY  
FLOOR/WALL CONDITION

DATE:	9/10/17
SCALE:	1:4
DOC:	CADJM.115/R2

**inpro.**

For More Information Visit: [Inprocorp.com](http://Inprocorp.com)



### 421-A02-150

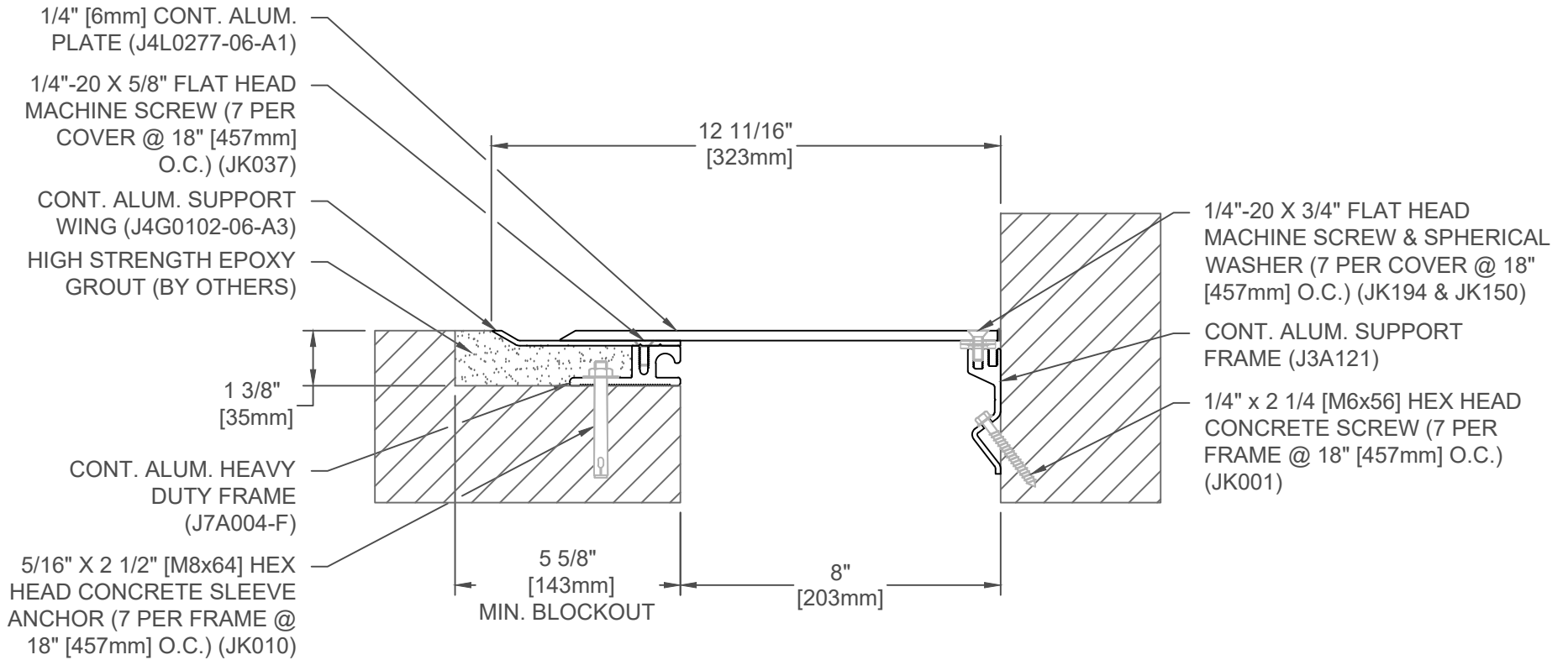
JOINT WIDTH		MOVEMENT ±			
		HORIZONTAL		VERTICAL	
US	mm	US	mm	US	mm
6"	152	1 1/2"	38	3/4"	19

FINISH: MILL
PROJECT:
CUSTOMER:
LOCATION:

APPLICATION-  
HEAVY DUTY  
FLOOR/WALL CONDITION

DATE:	9/10/17
SCALE:	1:4
DOC:	CADJM.115/R2





## 421-A02-200

JOINT WIDTH		MOVEMENT ±			
		HORIZONTAL		VERTICAL	
US	mm	US	mm	US	mm
8"	203	2"	51	1"	25

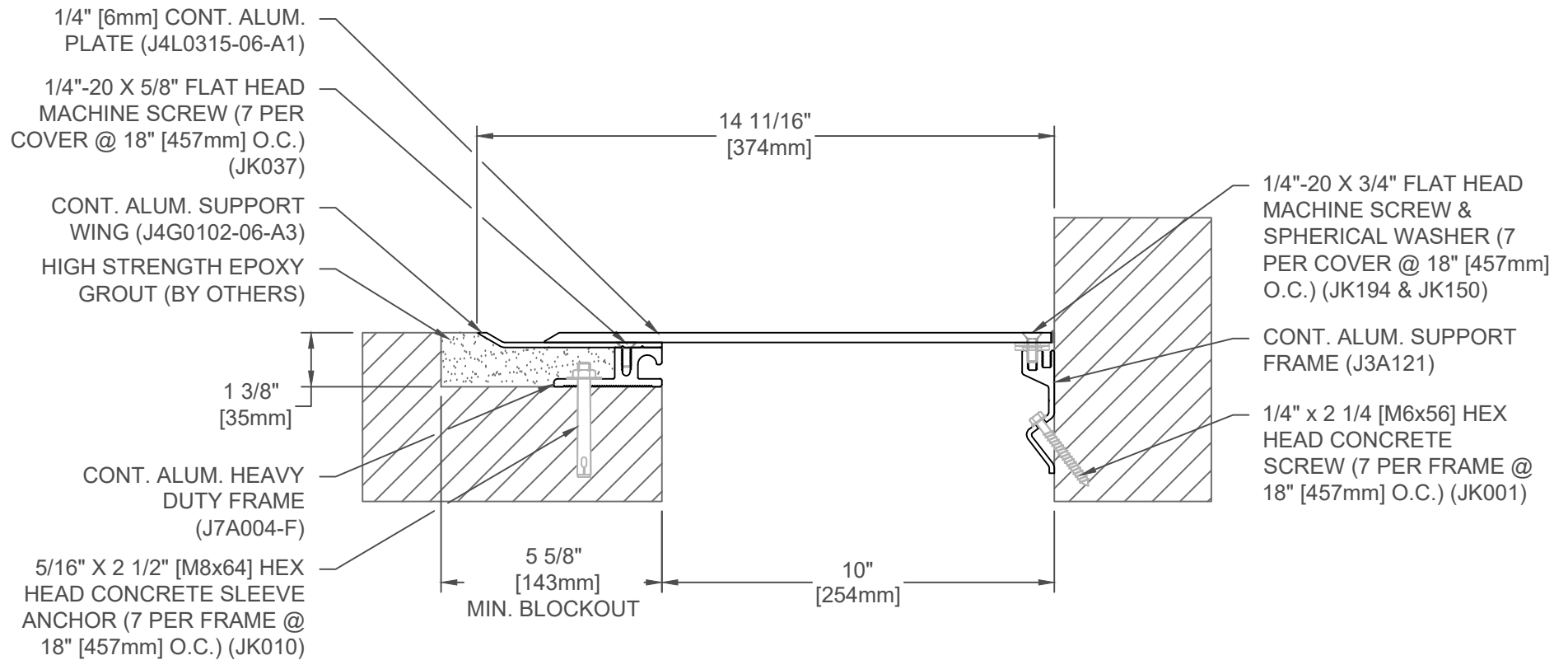
FINISH: MILL
PROJECT:
CUSTOMER:
LOCATION:

APPLICATION-  
HEAVY DUTY  
FLOOR/WALL CONDITION

DATE:	9/10/17
SCALE:	1:4
DOC:	CADJM.115/R2

**inpro.**

For More Information Visit: [Inprocorp.com](http://Inprocorp.com)



## 421-A02-250

JOINT WIDTH		MOVEMENT ±			
		HORIZONTAL		VERTICAL	
US	mm	US	mm	US	mm
10"	254	2 1/2"	64	5/8"	16

FINISH: MILL
PROJECT:
CUSTOMER:
LOCATION:

APPLICATION-  
HEAVY DUTY  
FLOOR/WALL CONDITION

DATE:	9/10/17
SCALE:	1:4
DOC:	CADJM.115/R2

**inpro.**

For More Information Visit: [Inprocorp.com](http://Inprocorp.com)