

516-A01-050

JOINT WIDTH		MOVEMENT ±			
		HORIZONTAL		VERTICAL	
US	mm	US	mm	US	mm
2"	51	1"	25	1"	25

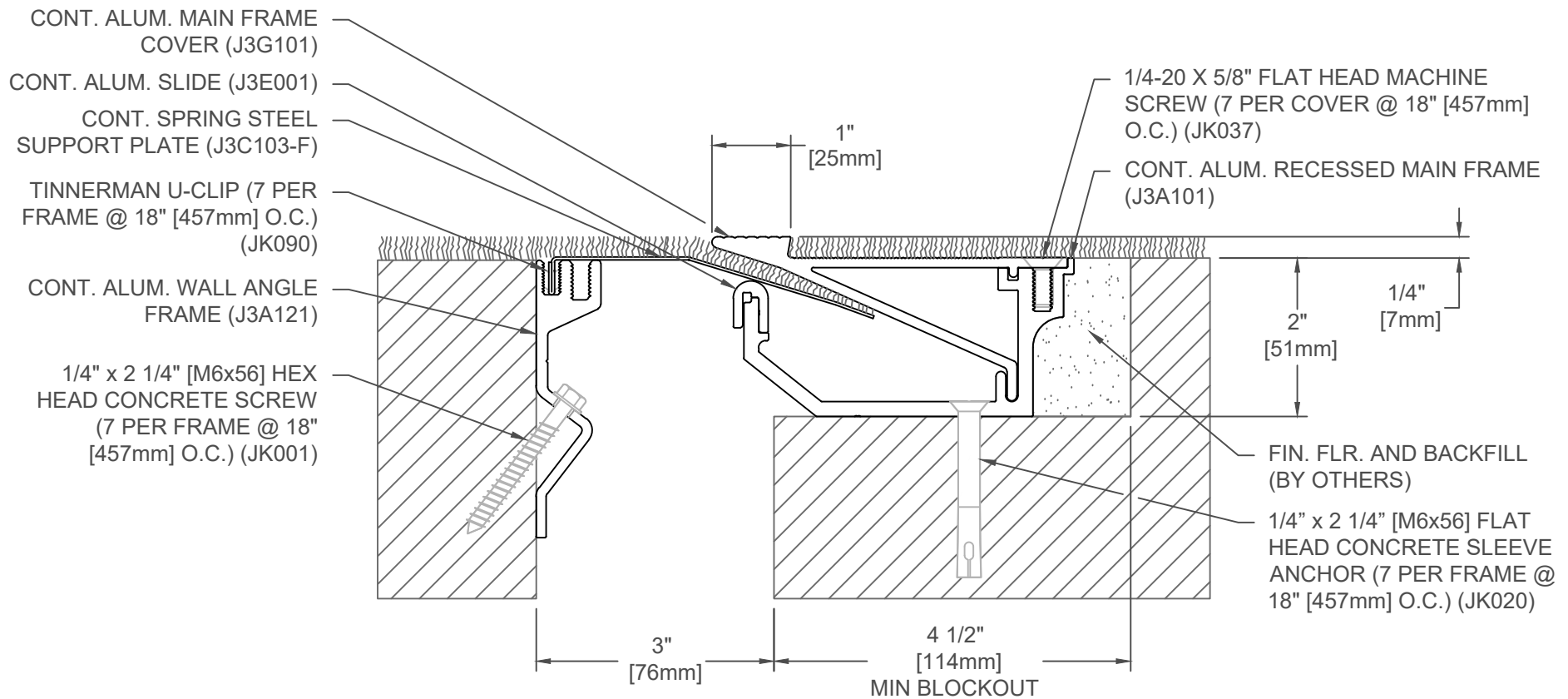
FINISH: MILL
PROJECT:
CUSTOMER:
LOCATION:

APPLICATION-
SINGLE SIGHTLINE (CARPET)
FLOOR/FLOOR CONDITION

DATE:	4-11-05
SCALE:	1:2
DOC:	CADJM.112/R2



For More Information Visit: Inprocorp.com



516-A01-075

JOINT WIDTH		MOVEMENT ±			
		HORIZONTAL		VERTICAL	
US	mm	US	mm	US	mm
3"	76	1- 1/2"	38	1-1/2"	38

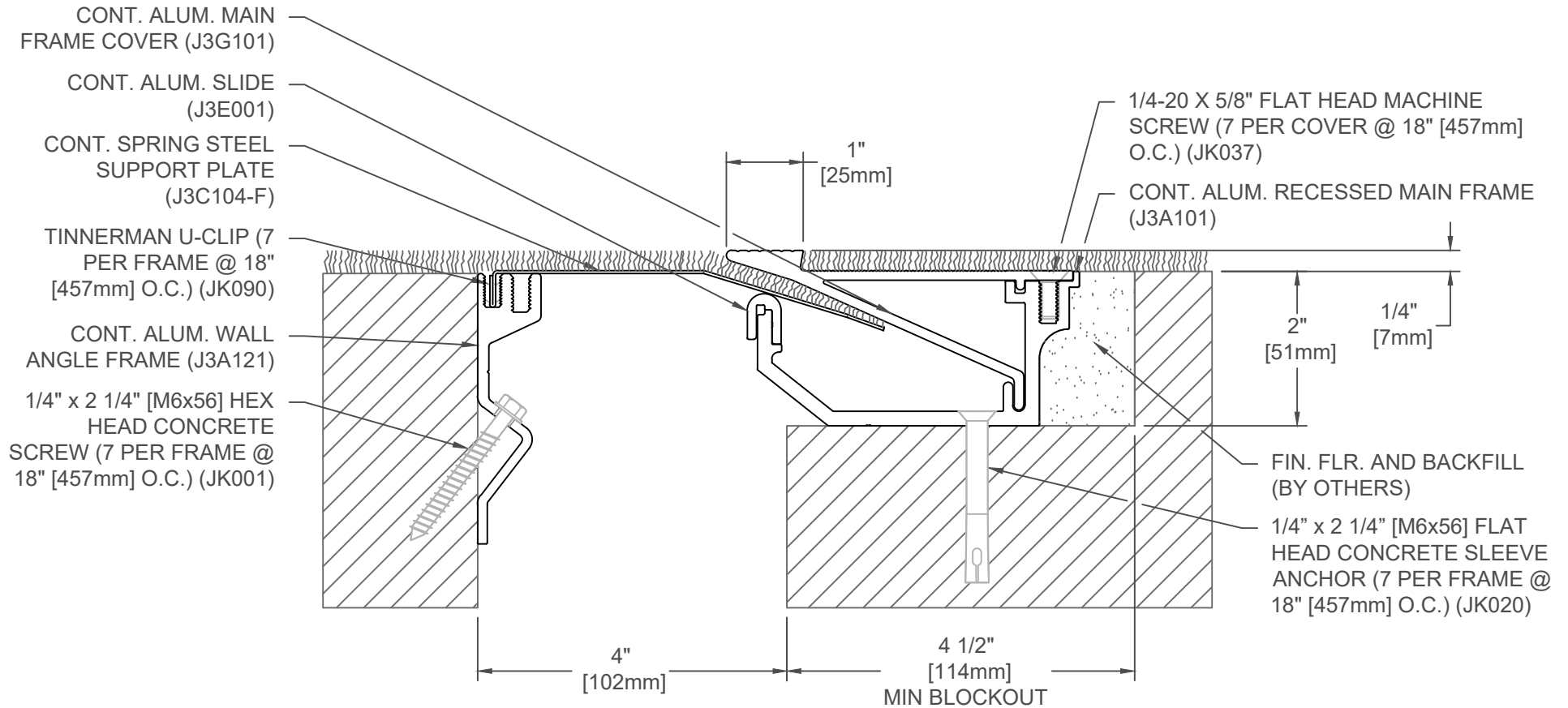
FINISH: MILL
PROJECT:
CUSTOMER:
LOCATION:

APPLICATION-
SINGLE SIGHTLINE (CARPET)
FLOOR/FLOOR CONDITION

DATE:	4-11-05
SCALE:	1:2
DOC:	CADJM.112/R2



For More Information Visit: Inprocorp.com



516-A01-100

JOINT WIDTH		MOVEMENT ±			
		HORIZONTAL		VERTICAL	
US	mm	US	mm	US	mm
4"	102	1-1/2"	38	1-1/2"	38

FINISH: MILL
PROJECT:
CUSTOMER:
LOCATION:

APPLICATION-
SINGLE SIGHTLINE (CARPET)
FLOOR/FLOOR CONDITION

DATE:	4-11-05
SCALE:	1:2
DOC:	CADJM.112/R2



For More Information Visit: Inprocorp.com