

Installation Instructions

Joint System: 801-S01/S02

FIG. 1 (801-S01 FLOOR TO FLOOR SHOWN)

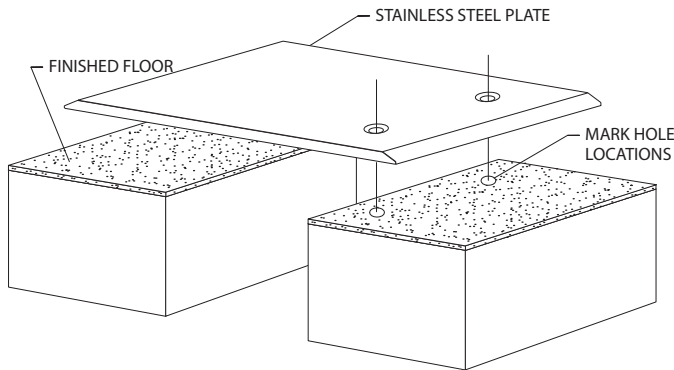


FIG. 1A (801-S02 FLOOR TO WALL SHOWN)

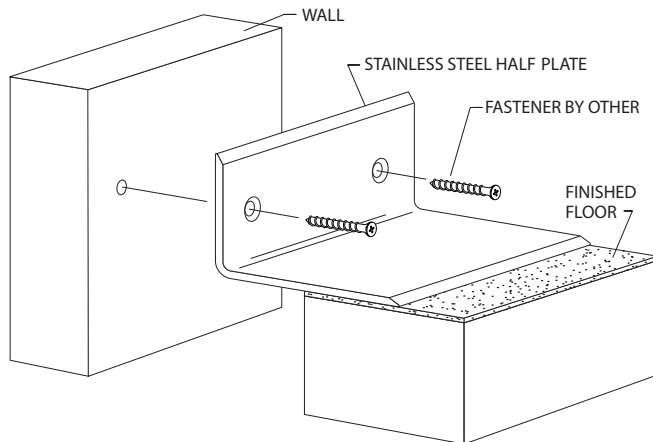
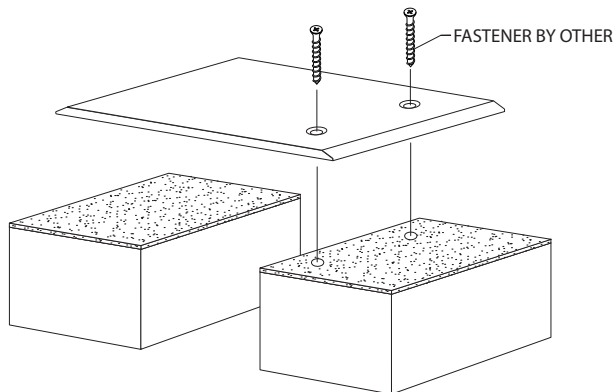


FIG. 2



1. Install the architectural joint system on a level finished floor. This may require adding leveling compound on top of the substrate to provide a smooth mounting surface.

Figure 1

2. Cut the stainless steel plates to the desired length.
3. Place the plates over the structural gap.
 - 3a. For floor to floor (S01) condition, plate should be positioned per project specific detail over the structural gap keeping the predrilled mounting holes on one side.
 - 3b. For floor to wall (S02) condition, short leg (predrilled hole side) should be placed firmly against the finished wall. Align level with the finished floor (see Figure 1a).
4. Mark the pre-drilled hole locations on the substrate.
5. Remove the plates.

Figure 2

6. Drill all marked holes on the substrate using the correct drill bit for the substrate and fastener size.
7. Return the plates into position over the drilled hole locations and secure in place with fastener that works with substrate based on contractor recommendation.

IPC. 1875/REV_2

Installation Instructions

Joint System: 801-S01/S02

FIG. 3

(801-S01 completed installation)

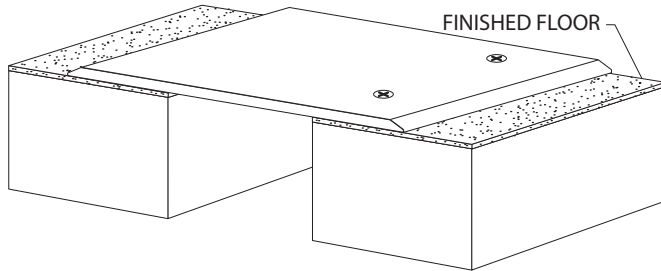


Figure 3

8. Clean the exposed surfaces with a non-solvent cleaner, as required.

(801-S02 COMPLETED INSTALLATION)

