

811-A09-025 SYSTEM

Joint Width		Movement ±			
		Horizontal		Vertical	
US	mm	US	mm	US	mm
1"	25	1/2"	13	--	--

FINISH: CLEAR ANODIZED

JOINTMASTER
EXPANSION JOINT SYSTEMS
A DIVISION OF INPRO

DATE: 4-15-09

SCALE: 1:1

DOC: CADJM.055/Rev2

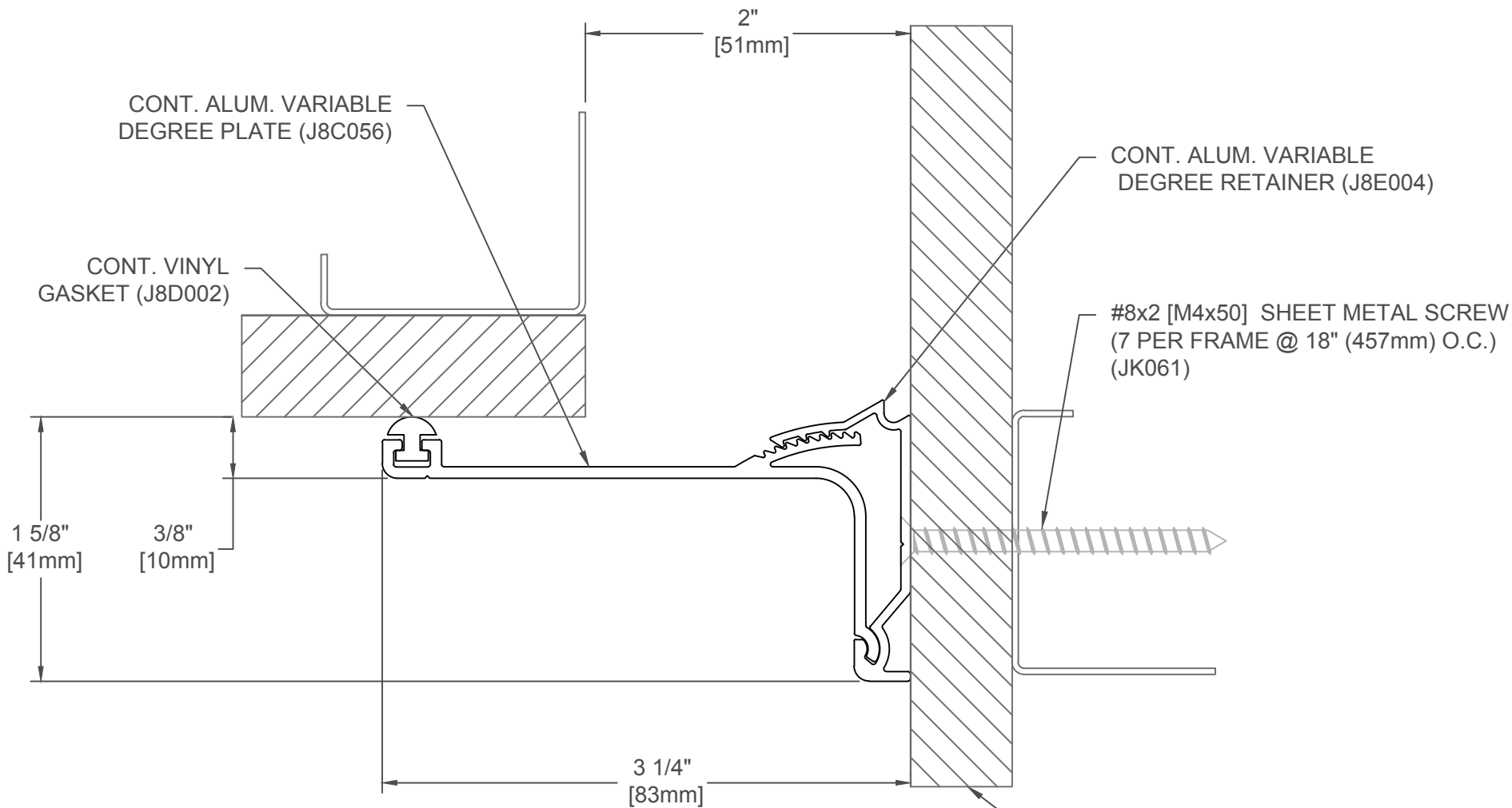
APPLICATION
WALL/CORNER & WALL/CEILING
SURFACE MOUNT SYSTEM

PROJECT:

CUSTOMER:

LOCATION:

inpro.



811-A09-050 SYSTEM

Joint Width		Movement ±			
		Horizontal		Vertical	
US	mm	US	mm	US	mm
2"	51	1"	25	--	--

WALL (BY OTHERS)

FINISH: CLEAR ANODIZED

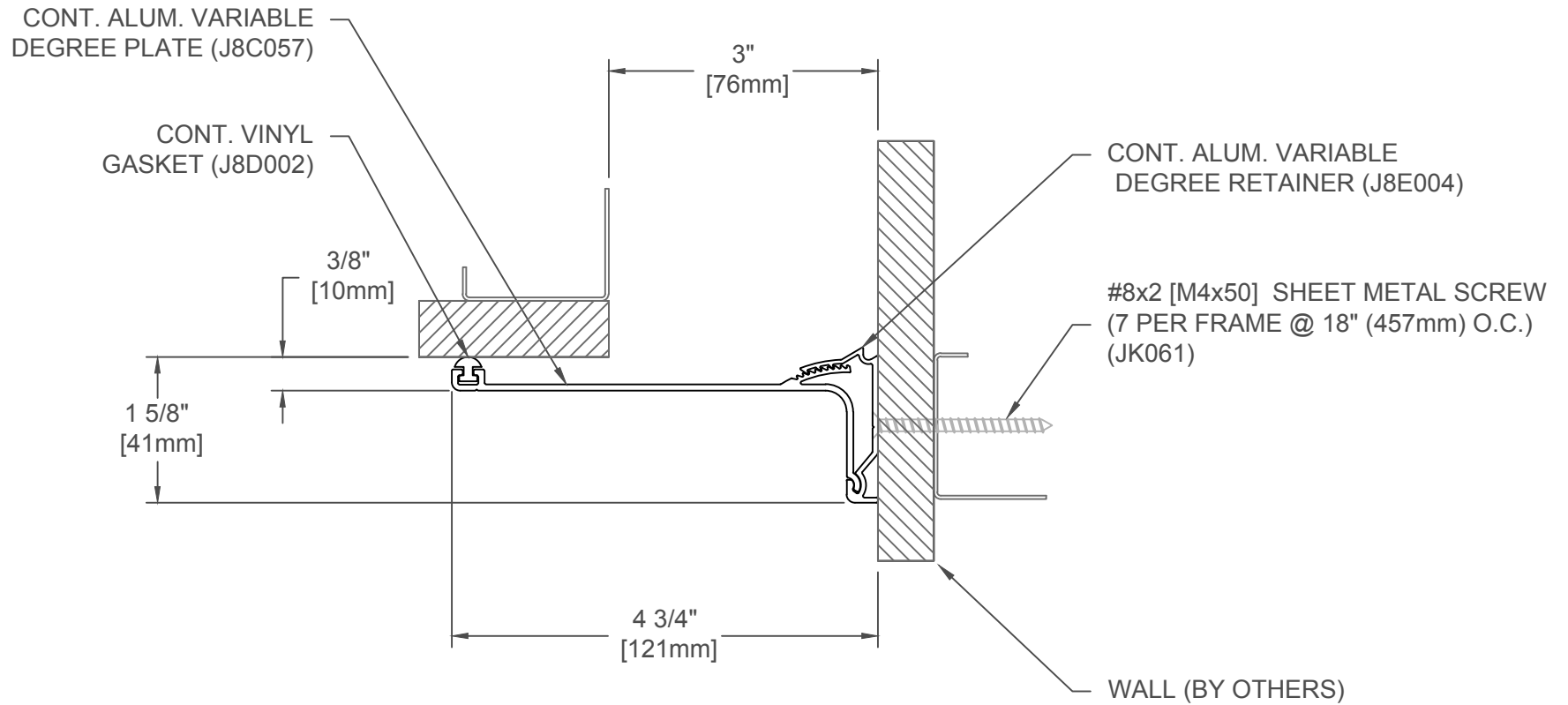
JOINTMASTER
EXPANSION JOINT SYSTEMS
A DIVISION OF INPRO

DATE: 4-15-09
SCALE: 1:1
DOC: CADJM.055/Rev2

APPLICATION
WALL/CORNER & WALL/CEILING
SURFACE MOUNT SYSTEMS

PROJECT:
CUSTOMER:
LOCATION:





811-A09-075 SYSTEM

Joint Width		Movement ±			
		Horizontal		Vertical	
US	mm	US	mm	US	mm
3"	76	1 1/2"	38	--	--

FINISH: CLEAR ANODIZED

JOINTMASTER
EXPANSION JOINT SYSTEMS
A DIVISION OF INPRO

DATE: 4-15-09

SCALE: 1:2

DOC: CADJM.055/Rev2

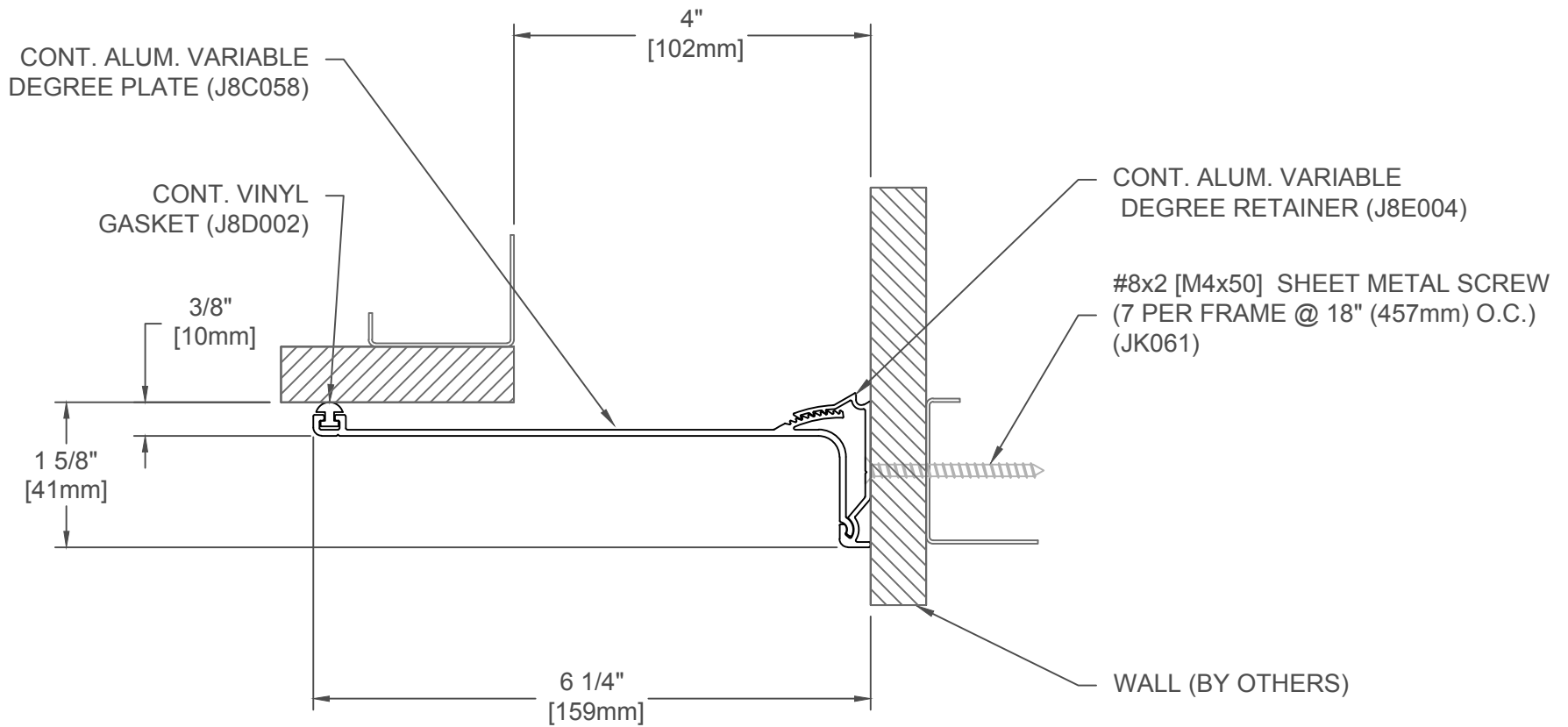
APPLICATION
WALL/CORNER & WALL/CEILING
SURFACE MOUNT SYSTEMS

PROJECT:

CUSTOMER:

LOCATION:





811-A09-100 SYSTEM

Joint Width		Movement ±			
		Horizontal		Vertical	
US	mm	US	mm	US	mm
4"	102	2"	51	--	--

FINISH: CLEAR ANODIZED

JOINTMASTER
EXPANSION JOINT SYSTEMS
A DIVISION OF INPRO

DATE: 4-15-09

SCALE: 1:2

DOC: CADJM.055/Rev2

APPLICATION
FLOOR/WALL
STANDARD COVER PLATE

PROJECT:

CUSTOMER:

LOCATION:

