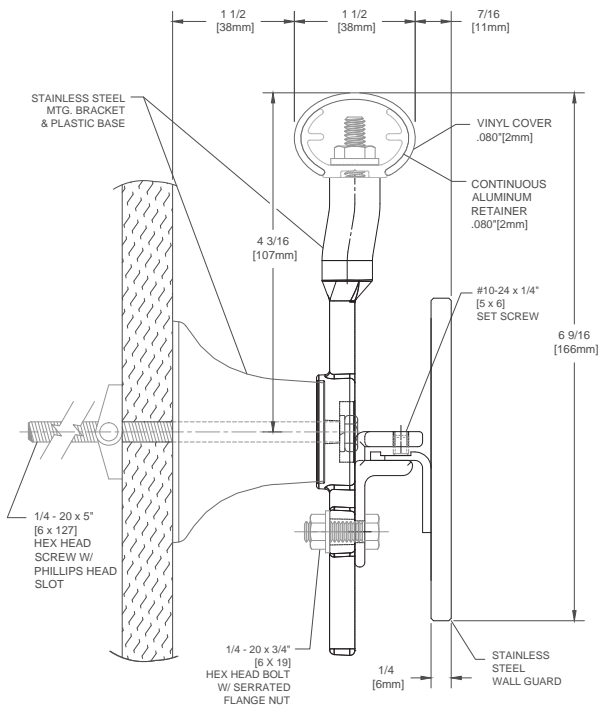
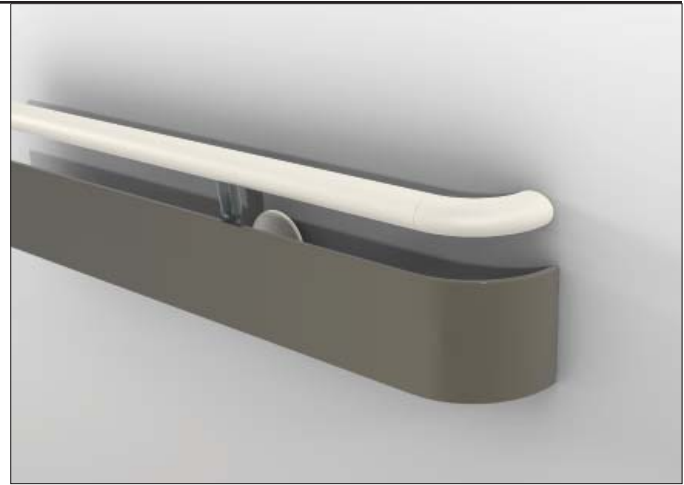


A3530VS Handrail with SureContact®

Suggested Specifications



- 6-9/16" (166mm) height x 1-1/2" (38mm) oval gripping diameter, extends 3-7/16" (87mm) from the wall
- A3530VS - Solid color vinyl handrail and integrated stainless steel wall guard
- Handrail gripping surface includes SureContact® anti-microbial properties as tested in accordance with JIS Z 2801:2010
- Handrail is .080" (2mm) thick, scratch and stain resistant rigid vinyl cover
- Sturdy, factory pre-cut, 4" (102mm) high, type 304 stainless steel wall guard
- Meets ADA and ANSI criteria
- All mounting fasteners are included with each order
- Meets the most rigorous standards and criteria of chemical emissions as prescribed by the GREENGUARD Environmental Institute
- Has been tested and meets GREENGUARD Environmental Institute's and the state of California's requirements for low emitting products as tested by Air Quality Sciences
- Has been tested and meets the GREENGUARD Children & School chemical emissions levels



IPC.2254/REV.2

A3530VS Handrail with SureContact®

Suggested Specifications

PART 1 GENERAL

1.01 SUMMARY

A. Handrail systems for pedestrian safety and wall protection

1.02 SECTIONS INCLUDES

A. A3530VS Silhouette Handrail System with SureContact® anti-microbial properties, oval vinyl handrail with integrated stainless steel wall guard

1.03 REFERENCES

A. American National Standards Institute (ANSI)
B. American Society for Testing and Materials (ASTM)
C. American with Disabilities Act (ADA)
D. Environmental Protection Agency (EPA)
E. Japanese Industrial Standard (JIS)
F. Kitchen Cabinets Manufacturers Association (KCMA)
G. National Emission Standards for Hazardous Air Pollutants (NESHAP)
H. Society of Automotive Engineers (SAE)

1.04 SYSTEM DESCRIPTION

A. Performance Requirements: Provide metal handrail systems with integrated wall guard that conform to the following requirements of regulatory agencies and the quality control of IPC Door and Wall Protection Systems, InPro Corporation.

1. Fire Performance Characteristics: Provide UL Classified vinyl handrail components conforming with NFPA Class A fire rating. Surface burning characteristics, as determined by UL-723 (ASTM E-84), shall be flame spread of 10 and smoke development of 350 - 450. Provide ULC (Canada) listed handrails conforming to the requirements of the National Building Code of Canada 2010, Subsection 3.1.13. Surface burning characteristics, as determined by CAN/ULCS102.2, shall be flame spread of 15 and smoke developed of 35.

2. Self Extinguishing: Provide handrails with a CC1 classification, as tested in accordance with the procedures specified in ASTM D-635-74, Standard Test Method for Rate of Burning and/or Extent and Time of Burning of Self-Supporting Plastics in a Horizontal Position, as referenced in UBC 52-4-1988.

3. Impact Strength: Provide rigid vinyl profile materials that have an Impact Strength of 30.2 ft-lbs/inch of thickness as tested in accordance with the procedures specified in ASTM D-256-90b, Impact Resistance of Plastics.

4. Chemical and Stain Resistance: Provide handrails that show resistance to stain when tested in accordance with applicable provisions of ASTM D-543.

5. Fungal and Bacterial Resistance: Provide powder coated metal components that does not support fungal or bacterial growth as tested in accordance with ASTM G-21 and ASTM G-22.

5. GREENGUARD Certified: Provide GREENGUARD Certified material. Profiles shall meet the requirements of GREENGUARD Certification Standards for Low-Emitting Products and GREENGUARD Product Emission Standard for Children & Schools.

6. Fungal and Bacterial Resistance: Provide rigid vinyl that does not support fungal or bacterial growth as tested in accordance with ASTM G-21 and ASTM G-22.

7. Color Consistency: Provide components matched in accordance with SAE J-1545 - (Delta E) with a color difference no greater than 1.0 units using CIE Lab, CIE CMC, CIE LCh, Hunter Lab or similar color space scale systems.

8. Code Compliance: Provide handrails that comply with all current ANSI and ADA requirements. In California, IPC

Handrails are approved by OSHPD for use in Hospitals. OSHPD approval #R-0232.

9. Anti Microbial: Provide handrail components with handrail gripping surfaces that have SureContact® anti-microbial properties as tested in accordance with JIS Z 2801:2010.

1.05 SUBMITTALS

A. Product Data: Manufacturer's printed product data for each product indicated in this section.
B. Detail Drawings: Mounting details with appropriate fasteners for specific project substrates.
C. Samples: Verification samples of handrail, 10" (254mm) long, in full size profiles with mounting brackets of each type indicated.
D. Manufacturer's Installation Instructions: Printed installation instructions for each handrail.

1.06 DELIVERY, STORAGE AND HANDLING

A. Deliver materials in unopened factory packaging to the jobsite.
B. Inspect materials at delivery to assure that specified products have been received.
C. Store in original packaging in a climate controlled environment away from direct sunlight.

1.07 WARRANTY

A. Standard IPC limited lifetime warranty against material and manufacturing defects.

PART 2 PRODUCTS

2.01 MANUFACTURERS

A. Acceptable Manufacturer: IPC Door and Wall Protection Systems
InPro Corporation, PO Box 406
Muskego, WI 53150 USA
Telephone 800-543-1729, Fax: 888-715-8407
Internet address: www.inprocorp.com
B. Substitutions: Not permitted
C. Provide all handrails and wall protection from a single manufacturer.

2.02 MANUFACTURED UNITS

A. Vinyl/Stainless Steel Handrail System
1. A3530VS Silhouette Handrail with SureContact® anti-microbial properties, 6-9/16" (166mm) height, 1-1/2" (38mm) x 1-1/16" (27mm) oval gripping diameter, system extends 3-7/16" (87mm) from the wall. System includes, -1/2" (38mm) x 1-1/16" (27mm) vinyl cover/aluminum retainer, top rail and an integrated 4" (102mm) stainless steel wall guard.
a. Molded handrail returns and corners, standard; stainless steel handrail returns and corners, optional.

2.03 MATERIALS

A. Vinyl
1. Extruded Vinyl: Snap-on covers of .080" (2mm) thickness shall be extruded from chemical and stain resistant unplasticized polyvinyl chloride (uPVC) with the addition of impact modifiers. No plasticizers shall be added (plasticizers may aid in bacterial growth).
2. Molded Vinyl: Returns and corners shall be made of injection mold grade, chemical and stain resistant polyvinyl chloride.
B. Aluminum
1. Continuous aluminum retainer of .080" (2mm) thickness shall be fabricated from 6063-T5 aluminum with a mill finish.
C. Stainless Steel

1. Stainless steel brackets shall be type 304 stainless steel with a #4 satin finish.
2. Stainless steel wall guard shall be manufactured from type 304 stainless steel.
3. Stainless steel returns and corners shall be made of type 201SS.
D. Zinc: Bracket adapters shall be cast from zinc.

2.05 COMPONENTS

A. Molded handrail returns, corners and brackets shall be made of injection molded thermoplastic.
B. Wall guard returns and corners shall be fabricated of wood in a finish/color to match the wall guard.
C. Stainless steel bracket shall be fabricated from cast stainless steel with a brushed finish or a solid color powder coat metal tone finish.
D. Fasteners: All mounting systems accessories appropriate for substrates indicated on the drawings shall be provided.

2.06 FINISHES

A. Vinyl Covers: Color of the handrail vinyl cover to be selected, by the architect, from the IPC finish selection. Surface shall have a pebblette texture.
C. Stainless Steel Brackets
1. Color of the stainless steel bracket to be selected by the architect from the solid color metal tone color palette.
2. Color of stainless steel brackets shall be #4 satin finish stainless steel.
D. Molded Components: Molded handrail returns and corners shall be of a color matching the handrail. Surface shall have a pebblette texture. Molded bracket components shall be a color matching the wall guard. Surface shall have a pebblette texture.

PART 3 EXECUTION

3.01 INSTALLERS

A. Installer should be familiar with the installation of fine finished wood products.

3.02 EXAMINATION

A. Examine areas and conditions in which handrail will be installed.
1. Complete all finishing operations, including painting, before beginning installation of handrail system materials.
2. Wall surface shall be dry and free from dirt, grease and loose paint.

3.03 PREPARATION

A. General: Prior to installation, clean substrate to remove dust, debris and loose particles.

3.04 INSTALLATION

A. General: Locate the handrail as indicated on the approved detail drawing for the appropriate substrate and in compliance with the IPC installation instructions. Install handrail level and plumb at the height indicated on the drawings.

3.05 CLEANING

A. At completion of the installation, clean surfaces in accordance with the IPC clean-up and maintenance instructions.

Inprocorp.com • 800.222.5556 • 262.679.9010

World Headquarters S80 W18766 Apollo Drive, Muskego, WI 53150 USA

IPC®

DOOR + WALL PROTECTION SYSTEMS
A DIVISION OF INPRO®