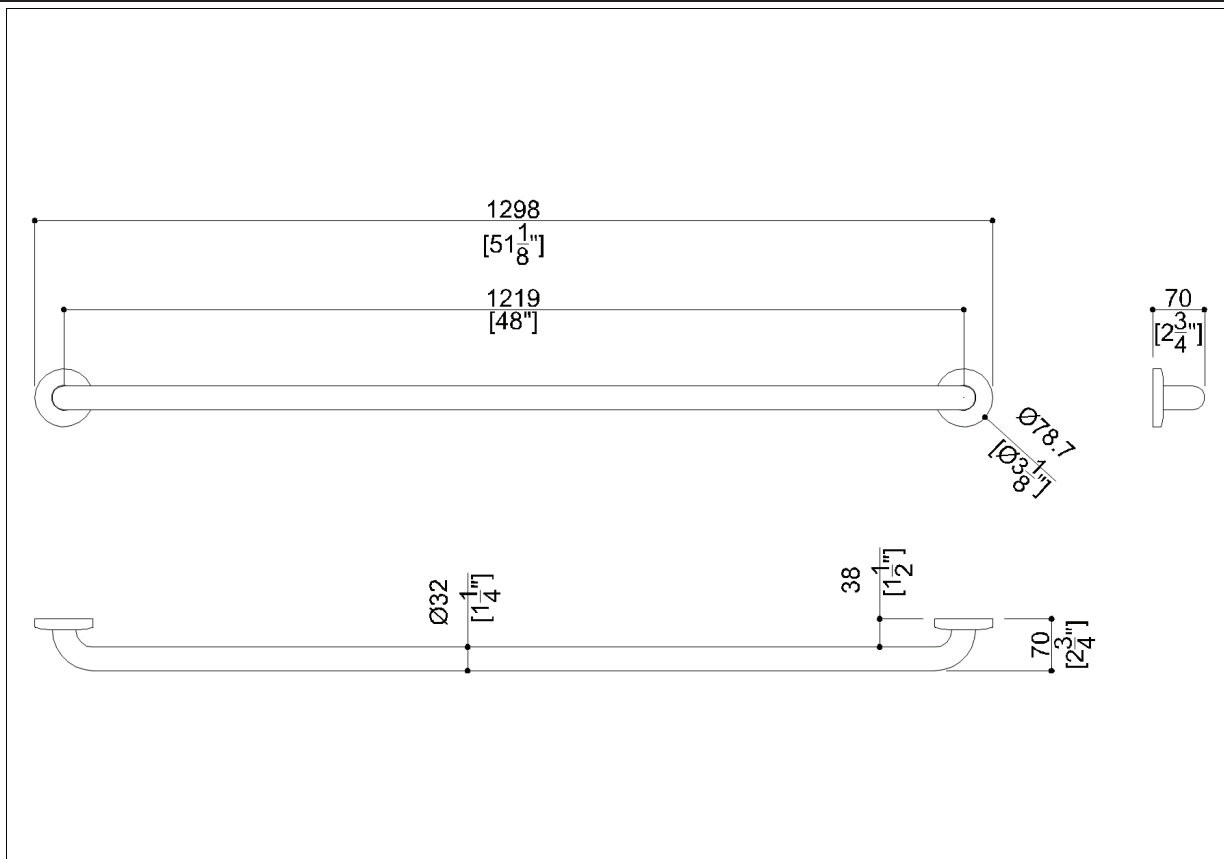


# Straight Grab Bar - 48"

## Technical Data



Safety grab bar, straight

Code **DSGB48ADA** Series **Stainless Steel Grab Bars**

Net weight lb. 3,31 Dimensions [WxDxH] In. 51 1/8x2 3/4x3 1/8

In use weight capacity Vertical lb. 450,00



### Use and installation info

Use a soft, moist cloth soaked with liquid soap and/or other liquid sanitizing substances. DO NOT USE abrasive liquid detergents, chlorine bleach or strong acids.

### Fasteners

Installations hardware included with the product

*Inpro suggests to use fasteners suitable for the wall conditions on which the product will be installed.*

### Packaging information

Dimensions [WxDxH] In. 51 1/8x2 3/4x3 1/8 Weight lb. 3,31

### Available colours

STS/STN - Satin Stainless Steel



05/10/2018

Inprocorp.com • 800.222.5556 • 262.679.9010  
World Headquarters S80 W18766 Apollo Drive, Muskego, WI 53150 USA

**ENDURANT®**  
WASHROOM SYSTEMS  
A DIVISION OF INPRO®