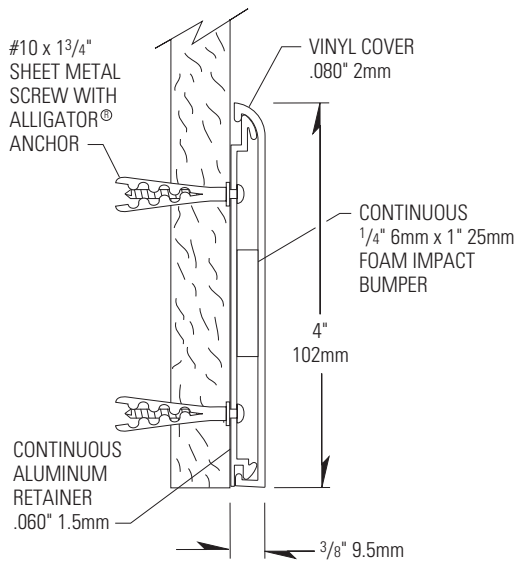
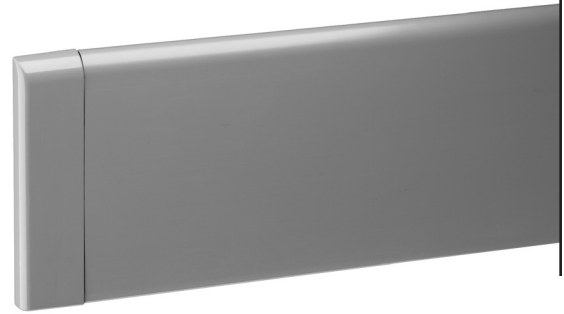


# EnviroGT G2 Series High Impact Wall Base



- ▶ Non-PVC cover is manufactured with BioPoly-PETG+, InPro's exclusive reformulated PETG made with a corn-based biopolymer and recycled content
- ▶ Offers quick installation because there are no adhesives
- ▶ Enhances interiors with 100 standard colors and 11 Global Colours
- ▶ Reduces costs during renovation because product can be reused
- ▶ Provides superior impact protection with continuous foam bumper mounted on continuous aluminum retainer
- ▶ GREENGUARD Indoor Air and Children & Schools Certified



IPC.1124/REV.1

P.O. Box 406 · Muskego, Wisconsin 53150 USA  
 inprocorp.com  
 Nationwide 800.222.5556/Fax 888.715.8407  
 International Sales 262.679.5521/Fax 262.679.5524

**INPRO CORPORATION**  
 Interior and Exterior Architectural Products

# EnviroGT G2 Series High Impact Wall Base Suggested Specifications

## PART 1 – GENERAL

### 1.01 SUMMARY

- A. Non PVC High Impact Wall Base system for wall protection and decoration

### 1.02 SECTION INCLUDES

- A. G2 Series High Impact Wall Base Systems

### 1.03 REFERENCES

- A. American National Standards Institute (ANSI)  
B. American Society for Testing and Materials (ASTM)  
C. National Fire Protection Association (NFPA)  
D. Society of Automotive Engineers (SAE)

### 1.04 SYSTEM DESCRIPTION

- A. Performance Requirements: Provide high impact wall base systems that conform to the following requirements of regulatory agencies and the quality control of IPC Door and Wall Protection Systems, InPro Corporation.
1. Fire Performance Characteristics: Provide high impact wall base conforming with the NFPA Class A fire rating. Surface burning characteristics, as determined by ASTM E-84, shall be flame spread of 25 or less and smoke development of 450 or less.
2. Impact Strength: Provide profile materials that have been tested in accordance with the applicable provisions of ASTM D-256, Impact Resistance of Plastics.
3. Chemical and Stain Resistance: Provide material that shows resistance to stain when tested in accordance with applicable provisions of ASTM D-543.
4. Fungal and Bacterial Resistance: Provide material that does not support fungal or bacterial growth as tested in accordance with ASTM G-21 and ASTM G-22.
5. GREENGUARD Certified: Provide GREENGUARD Certified profiles. Profiles shall meet the requirements of GREENGUARD Certification Standards for Low-Emitting Products and GREENGUARD Product Emission Standard for Children & Schools.
6. Color Consistency: Provide components matched in accordance with SAE J-1545 - (Delta E) with a color difference no greater than 1.0 units using CIE Lab, CIE CMC, CIE LCh, Hunter Lab or similar color space scale systems.

### 1.05 SUBMITTALS

- A. Product Data: Manufacturer's printed product data for each product indicated in this section.
- B. Detail Drawings: Mounting details with the appropriate fasteners for specific project substrates.
- C. Samples: Verification samples of high impact wall base, 8" (203mm) long, in full size profiles of each type and color indicated.
- D. Manufacturer's Installation Instructions: Printed installation instructions for each high impact wall base.

### 1.06 DELIVERY, STORAGE AND HANDLING

- A. Deliver materials in unopened factory packaging to the jobsite
- B. Inspect materials at delivery to assure that specified products have been received.
- C. Store in original packaging in a climate controlled location away from direct sunlight.

### 1.07 PROJECT CONDITIONS

- A. Environmental Requirements: Install products in an interior climate controlled environment.

### 1.08 WARRANTY

- A. Standard IPC Limited Lifetime Warranty against material and manufacturing defects.

## PART 2 – PRODUCTS

### 2.01 MANUFACTURER

- A. Acceptable Manufacturer: IPC Interior Protection Products and Decorative Surfaces, InPro Corporation, PO Box 406, Muskego, WI 53150, USA; Telephone: 800.222.5556, Fax: 888.715.8407, www.inprocorp.com
- B. Substitutions: Not permitted
- C. Provide all high impact wall base and wall protection from a single manufacturer.

### 2.02 LEED CRITERIA

- A. Provide high impact wall base systems with components that have recycled content.
1. MR Credit 4.1, 10%(post-consumer + ½ pre-consumer), 1 credit
2. MR Credit 4.2, 20%(post-consumer + ½ pre-consumer), 1 credit

### 2.03 MANUFACTURED UNITS

- A. High Impact Wall Base Profile
1. G2 Series High Impact Wall Base, 4" (102mm) height x 3/8" (9.5mm) depth, with continuous aluminum retainer

### 2.04 MATERIALS

- A. Reformulated PETG with Biopolymer Blend: Snap on cover of .080" (2mm) thickness shall be extruded from chemical and stain resistant PETG.
- B. Aluminum: Continuous aluminum retainer of .060" (1.5mm) thickness shall be fabricated from 6063-T5 aluminum with a mill finish.

### 2.05 COMPONENTS

- A. End Caps, inside corners and outside corners shall be made of injection molded thermoplastics.
- B. Fasteners: All mounting system accessories appropriate for substrates indicated on the drawing shall be provided.

### 2.06 FINISHES

- A. Wall Base Covers: Wall base colors to be selected by the architect from the IPC finish selection.
- B. Molded components: End Caps, inside corners and outside corners shall be of a color matching the wall base. Surface shall be smooth.

## PART 3 – EXECUTION

### 3.01 EXAMINATION

- A. Examine areas and conditions in which the wall guard system will be installed.
1. Complete all finishing operations, including painting, before beginning installation of wall guard system materials.

2. Wall surface shall be dry and free from dirt, grease and loose paint.

### 3.02 PREPARATION

- A. General: Prior to installation, clean substrate to remove dust, debris and loose particles.

### 3.03 INSTALLATION

- A. General: Locate wall guard as indicated on approved detail drawings for the appropriate substrate and in compliance with the IPC installation instructions. Install wall guard level and plumb at the height indicated on the drawings.

- B. Installation of G2 Series High Impact Wall Base Material must be stored, installed and used in environmentally controlled conditions

1. Cut the aluminum retainer to the required length, allowing 1" (25mm) for end caps, 11/16" (17mm) for outside corners and 1" (25mm) for inside corners. Allow 1/16" (1.5mm) between the end caps/corners and the retainer for adjustments when attaching the cover.
2. Drill 1/4" (6mm) holes in the aluminum retainer, 4" (102mm) from each end and spaced evenly over the length of the wall base in "zigzag" pattern (8 anchors per 8' (2.44m) length). NOTE: If mounting on concrete or brick, drill 1/4" (6mm), 3/8" (9.5mm) from each end of the retainer at the correct centerline location for end caps or corners.
3. Position and level the aluminum retainer on the wall, allowing for end caps and corners, and transfer the mounting holes to the wall with a marker. Drill 1/4" (6mm) holes at each mark and position the ALLIGATOR anchors into the holes on the wall. Mount the retainer with #10 x 1-3/4" Phillips pan head screws.
4. Slide the end caps and corners onto the aluminum, leaving a 1/16" (1.5mm) gap for adjustments and secure them with one 1-1/4" self-tapping screws per end cap or two per corner. NOTE: If mounting on concrete or brick, use the #10 x 1-3/4" Phillips pan head screws to secure end caps or outside corners.
5. Cut the foam impact bumper to the distance between the tabs of the end caps, or corners. Position the foam impact bumper on the center of the aluminum retainer and press until it is adhered to the aluminum.
6. Cut the cover to the distance between the end caps and corners. NOTE: Trim all factory edges square before installation. Position the cover on the aluminum retainer to check the fit. Adjust the end caps and corners, in order to obtain a tight fit with the cover. Position the cover on the retainer and push over the retainer until it snaps into place.

### 3.04 CLEANING

- A. At completion of the installation, clean surfaces in accordance with the IPC clean-up and maintenance instructions.

